

A. CHECK & ISSUE 05/24/13

說明 GENERAL NOTES

1. DIMENSIONS MARKED WITH "*" INDICATE CRITICAL DIMENSIONS WHICH NEED TO BE INSPECTED IN EVERY LOT.
2. CPK MUST EXCEED 1.33 FOR CRITICAL PARPMENTS.
3. DIMENSIONS MARKED WITH "□" IS SAFETY DIMENSIONS.

長度區分 容許公差區分 (MM)

RANGE	COMMON TOLERANCE			
	A	B	C	D
低於 8 LESS THAN	±0.05	±0.1	±0.2	±0.4
8-25	±0.08	±0.15	±0.3	±0.6
25-50	±0.12	±0.25	±0.5	±1.0
50-75	±0.25	±0.4	±0.8	±1.5
75-100	±0.3	±0.6	±1.2	±2.0
100-250	±0.5	±1.0	±1.5	±3.0
250-500	±0.7	±1.5	±2.0	±4.0
500-1000	±1.0	±2.0	±3.0	±6.0

飛宏科技股份有限公司
TECHNOLOGY CO., LTD.

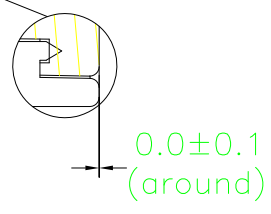
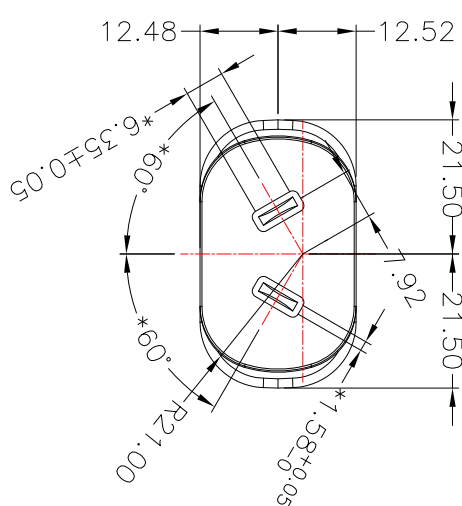
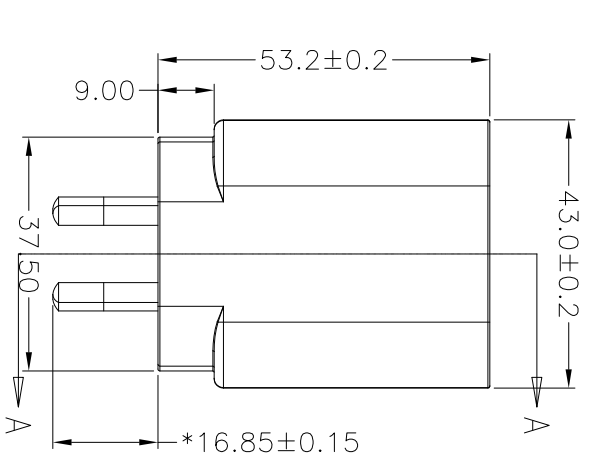
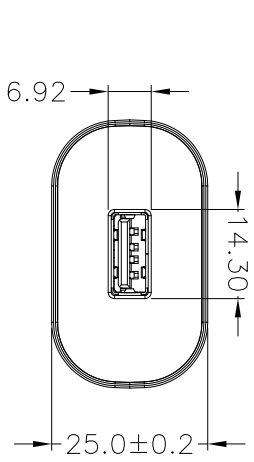
機型 MODEL PSM03S-050Q-3-R

材質 MATERIAL

處理 TREATMENT

公差 TOLERANCE B
比例 SCALE X
圖名 DESCRIPTION MODEL OUTLINE DIAGRAM

核准 APPROVED
審核 CHECKED
設計 DESIGN
製圖 DRAWN
單位 UNIT MM
料號 PART NO. PESS66634 A



SECTION A-A

