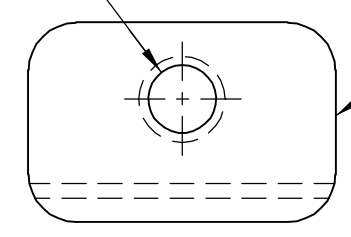


THIS DRAWING IS UNPUBLISHED. RELEASED FOR PUBLICATION
 © COPYRIGHT 2006 BY TYCO ELECTRONICS CORPORATION. ALL RIGHTS RESERVED.

LOC	DIST	REVISIONS					
GP	00	P	LTR	DESCRIPTION	DATE	DWN	APVD
			A	REVISED PER EC 0S13-0389-05	09MAR06	JG	JG

M3x0.5 THREAD

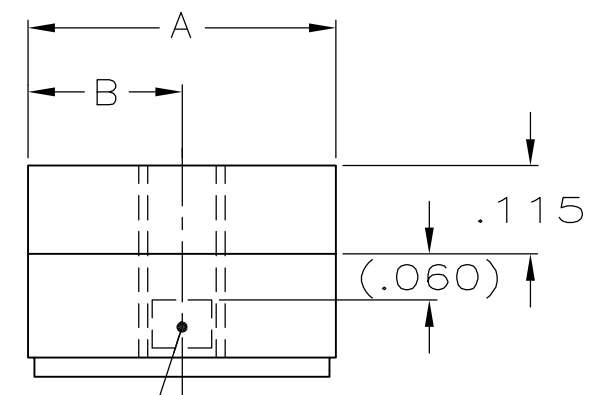


LATCHING BLOCK

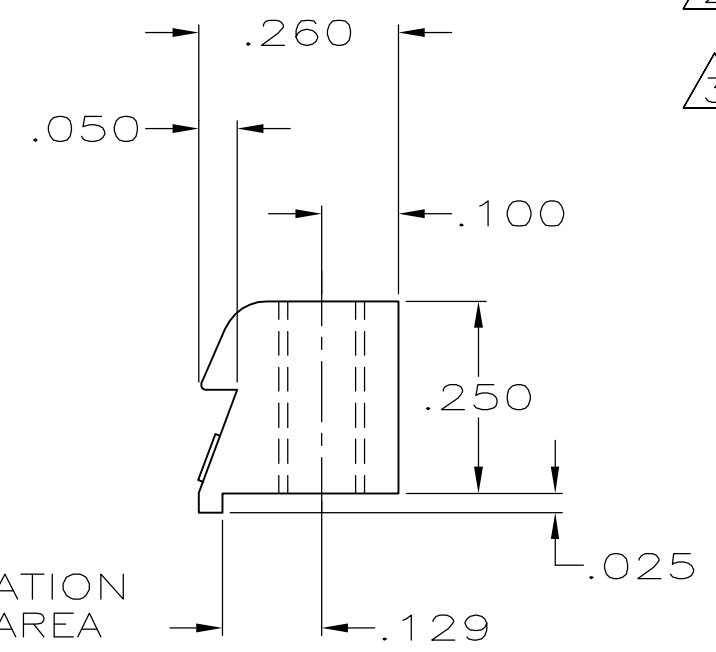
1. PARTS PACKAGED UNASSEMBLED, 1 KIT PER BAG.
 EACH KIT CONTAINS 2 OF EACH COMPONENT.

2. LATCHING BLOCK: ZINC ALLOY.
 SCREW: COLD ROLLED STEEL.

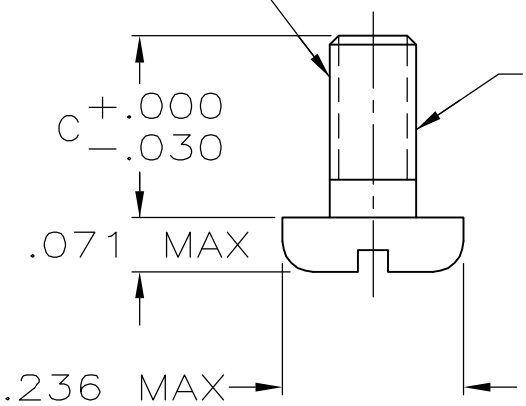
3. SCREW: ZINC PLATED .000200-.000400 THICK,
 CLEAR CHROMATE COATING.



THREAD IDENTIFICATION
 LOCATED IN THIS AREA



M3x0.5 THREAD



PAN HEAD SCREW

.236	.200	.400	5745007-1
C	B	A	PART NUMBER

THIS DRAWING IS A CONTROLLED DOCUMENT.		DWN J.GERACE 01MAR06	Tyco Electronics Corporation Harrisburg, PA 17105-3608	
DIMENSIONS: INCHES		CHK C.ROHDE 01MAR06		
		APVD M.WALMSLEY 01MAR06	NAME LATCHING BLOCK KIT, RS 449 TYPE, AMPLIMITE	
TOLERANCES UNLESS OTHERWISE SPECIFIED:		PRODUCT SPEC	-	
0 PLC ± -		APPLICATION SPEC	-	
1 PLC ± -		WEIGHT	-	
2 PLC ± -		SIZE	A3	CAGE CODE
3 PLC ± .010		DRAWING NO	G=5745007	
4 PLC ± -		RESTRICTED TO	-	
ANGLES ± -		SCALE	4:1	
MATERIAL		SHEET	1 OF 1	
FINISH		REV	A	
		CUSTOMER DRAWING		