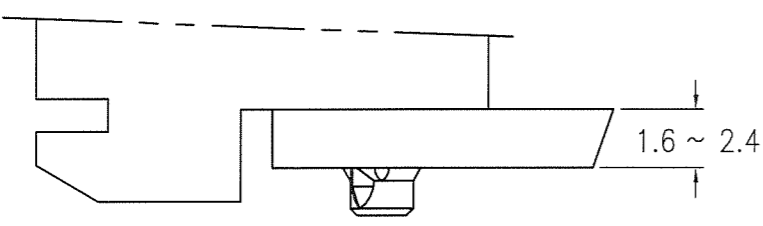
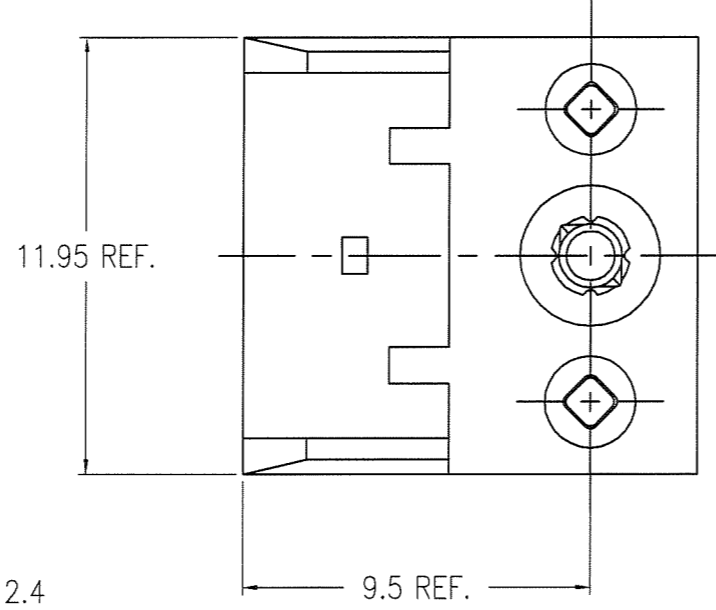
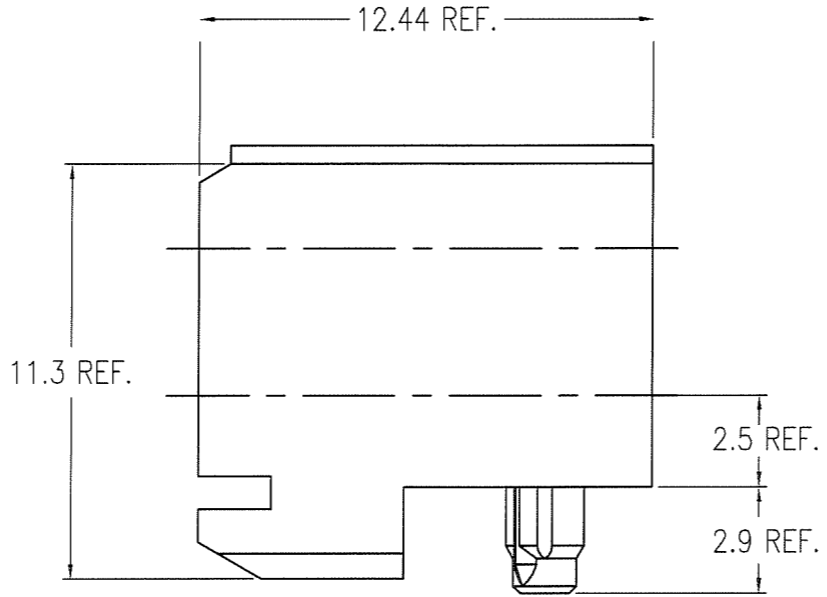
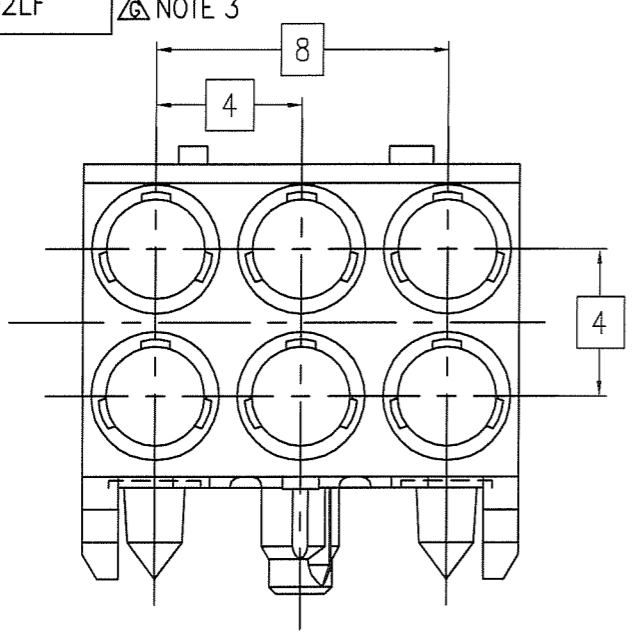
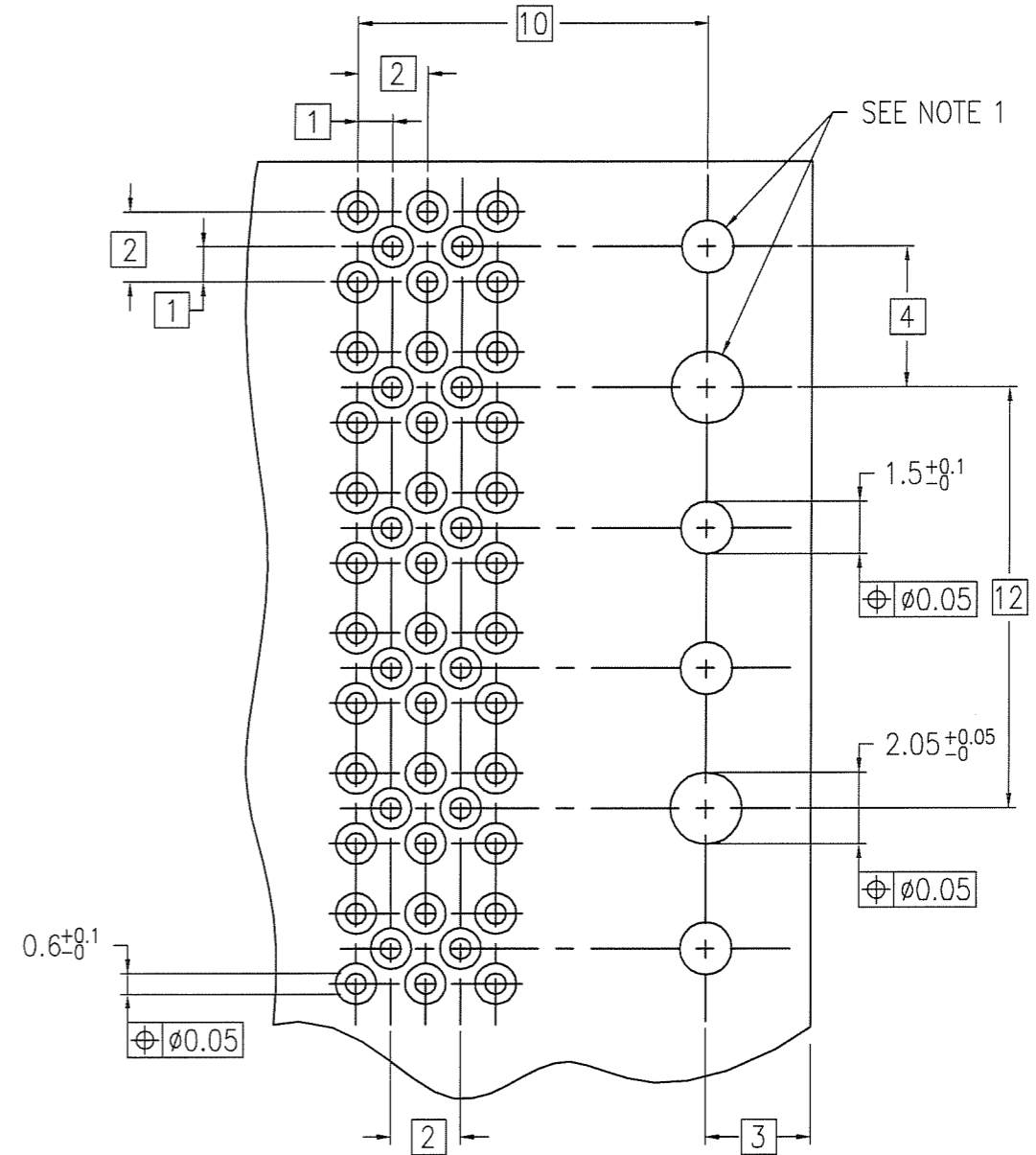


PRODUCT NO.  
~~85939-102~~ Obsolete  
 85939-102LF NOTE 3



PRODUCT AFTER PC BOARD APPLICATION



RECOMMENDED HOLE PATTERN, COMPONENT SIDE.

NOTE :  
 1. INDICATED HOLES ARE UNPLATED.  
 2. MATERIAL :  
 LIQUID CRYSTAL POLYMER 30% GLASS  
 UL 94V-0 , COLOR NATURAL  
 3. PARTS NUMBERS SUFFIX "LF" MEANS FOR LEAD FREE IDENTIFICATION.  
 AND MEETS EUROPEAN UNION DIRECTIVES AND OTHER COUNTRY REGULATIONS  
 AS DESCRIBED IN GS-22-008.  
 THIS PRODUCT IS EQUIVALENT TO PREVIOUS NON-LF PRODUCT.

mat'l. code ---				surface ISO 1302 ✓	tolerance ISO 406 ISO 1101	projection	product family 5H2F METRAL ACCESSORIES	CODE JP	
				tolerances unless otherwise specified	linear	MM	title R/A FEMALE MINI COAX PRESS PEG		
ltr	description	ecn no	dr	date	angles	scale 5:1	dwg no 85939 sheet 1 of 2 size A3		
A	RELEASED	J70165	M.N	6/23/97			type Customer Drawing		
B	REVISED	J80420	Y.K	10/15/98			Rev. G		
C	REVISED	J80425	Y.K	10/21/98	0'±2'				
D	REVISED	J90322	Y.K	1/17/00	dr				
E	REVISED	J10491	Y.K	9/18/01	enr				
F	REVISED	J07-0030	S.O	1/18/07	chr				
G	REVISED	J11-0080	S.W	2011-4-12	appd				
sheet index	revision sheet	G 1	E 2						

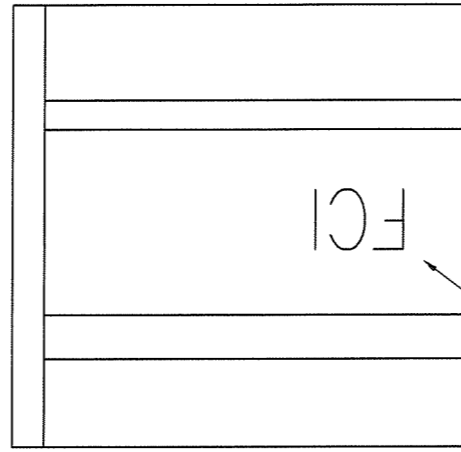
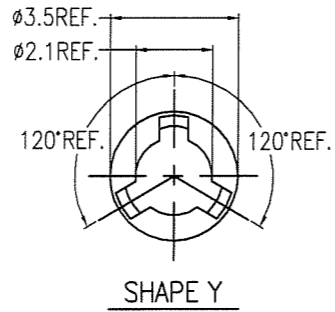


Copyright FCI.

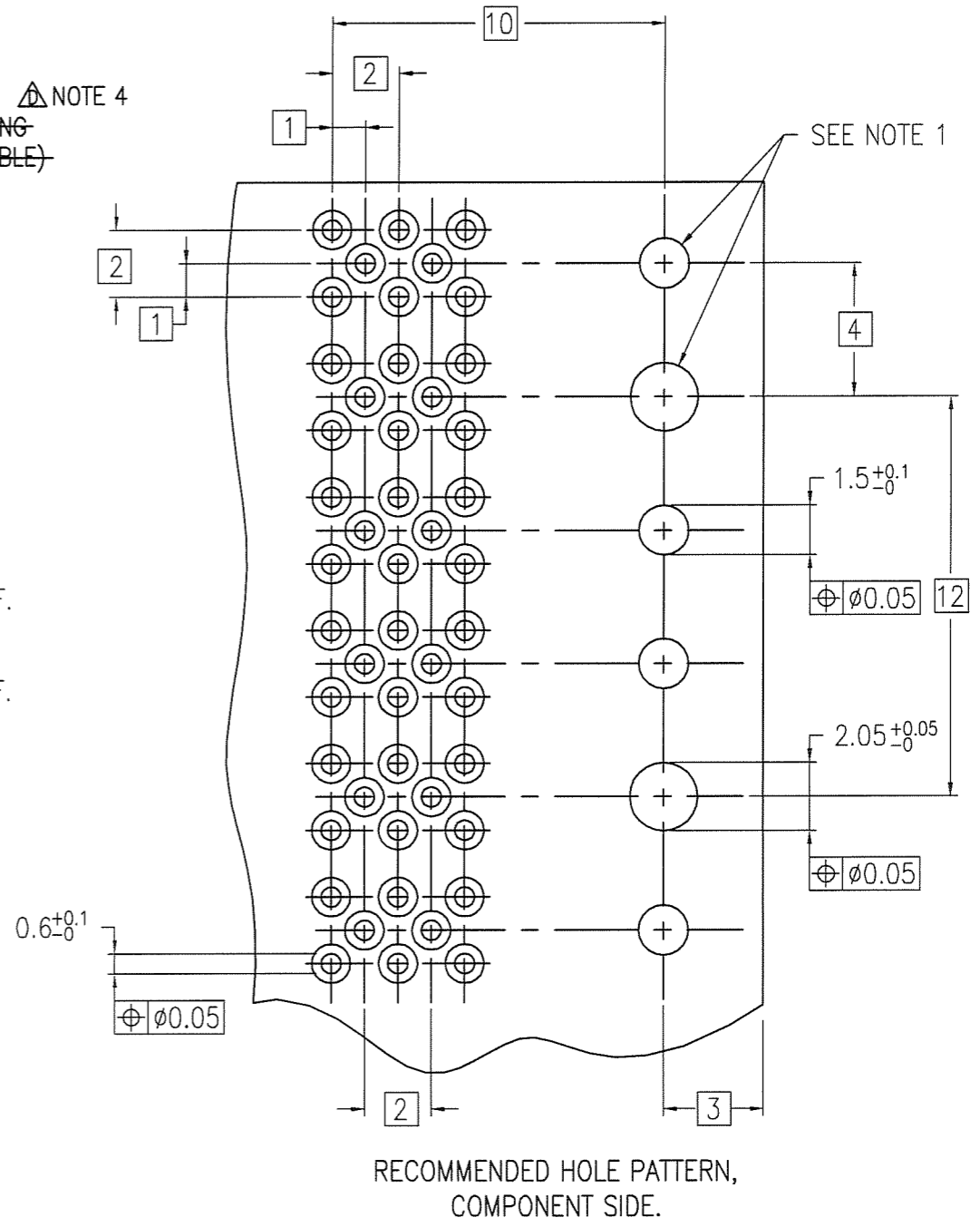
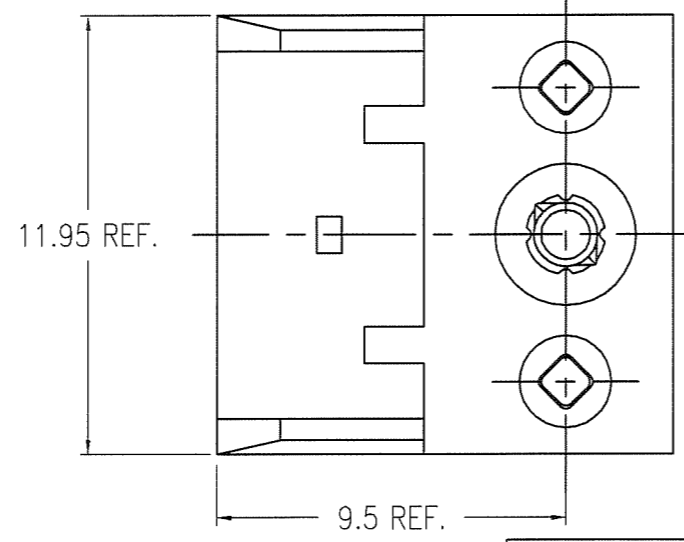
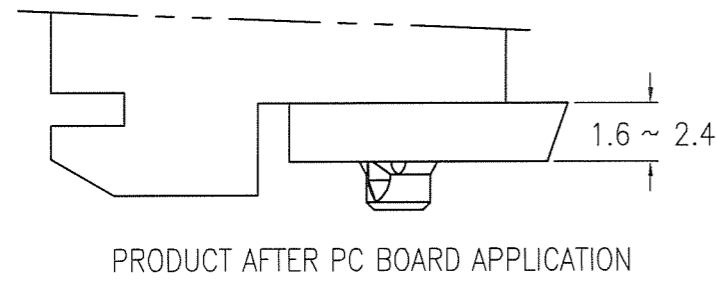
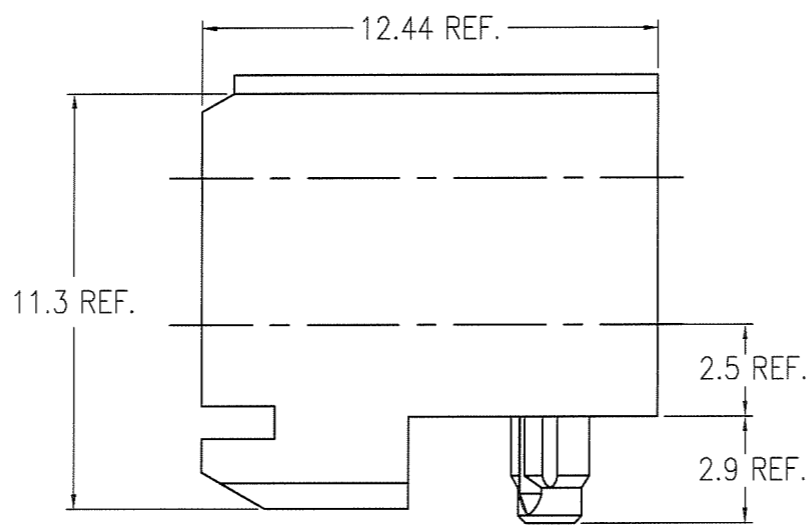
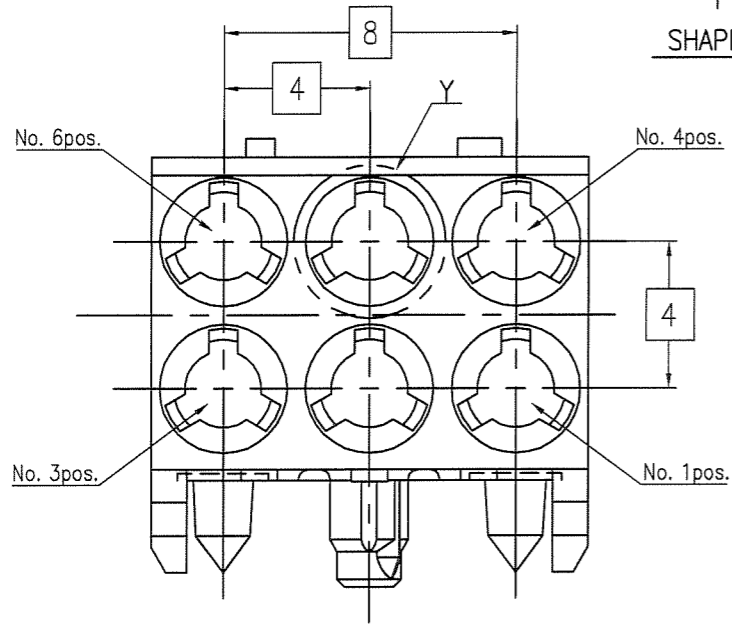
PRODUCT NO.	FCI MARKING
<del>85939-122</del>	WITHOUT
<del>85939-1221</del>	WITH
85939-122LF	NOTE 3

Obsolete

Obsolete



NOTE 4  
MARKING (SEE TABLE)



- NOTE :
- INDICATED HOLES ARE UNPLATED.
  - MATERIAL :  
LIQUID CRYSTAL POLYMER 30% GLASS  
UL 94V-0 , COLOR NATURAL
  - PARTS NUMBERS SUFFIX "LF" MEANS FOR LEAD FREE IDENTIFICATION. AND MEETS EUROPEAN UNION DIRECTIVES AND OTHER COUNTRY REGULATIONS AS DESCRIBED IN GS-22-008.  
THIS PRODUCT IS EQUIVALENT TO PREVIOUS NON-LF PRODUCT.
  - FCI MARKING PRODUCT IS NOT AVAILABLE.

mat'l. code				surface ISO 1302		tolerance ISO 406 ISO 1101		projection		product family		CODE		
---										5H2F METRAL ACCESSORIES		JP		
ltr	description	ecn no	dr	date	tolerances unless otherwise specified			title						
A	RELEASED	J80425	Y.K	10/21/98	angles	0.X	±0.15	R/A FEMALE MINI COAX PRESS PEG						
B	REVISED	J90322	Y.K	1/17/00	linear	0.XX	±0.15							
C	REVISED	J10491	Y.K	9/18/01	0°±3'	0.XXX	±0.15	scale 5:1						
D	REVISED	J07-0030	S.O	1/18/07	dr	2011-4-12				dwg no		sheet 2 of	size	
E	REVISED	J11-0080	S.W	2011-4-12	enr	2011-4-12				85939				A3
					chr	2011-4-12				type		Customer Drawing		
sheet index		revision sheet										Rev. E		



Copyright FCI.