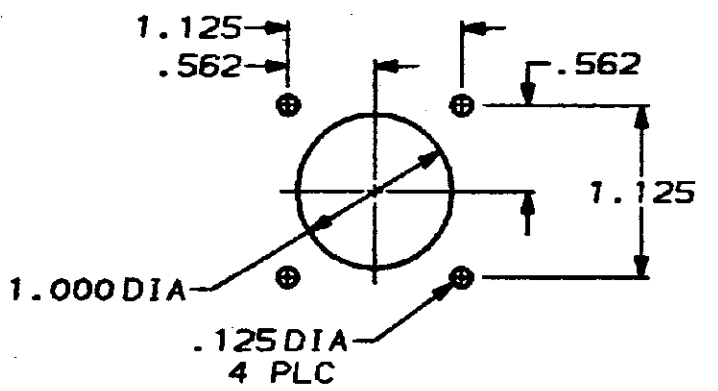
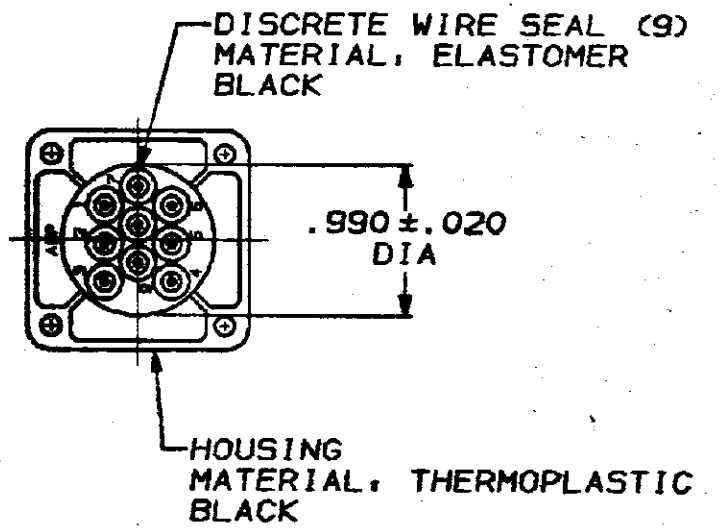
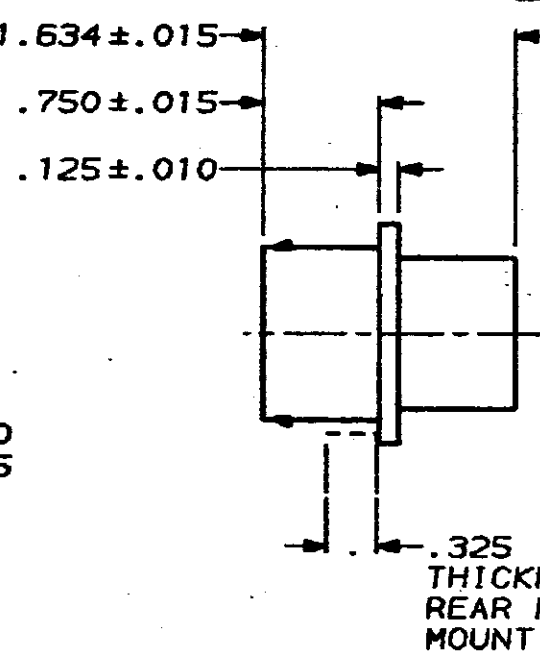
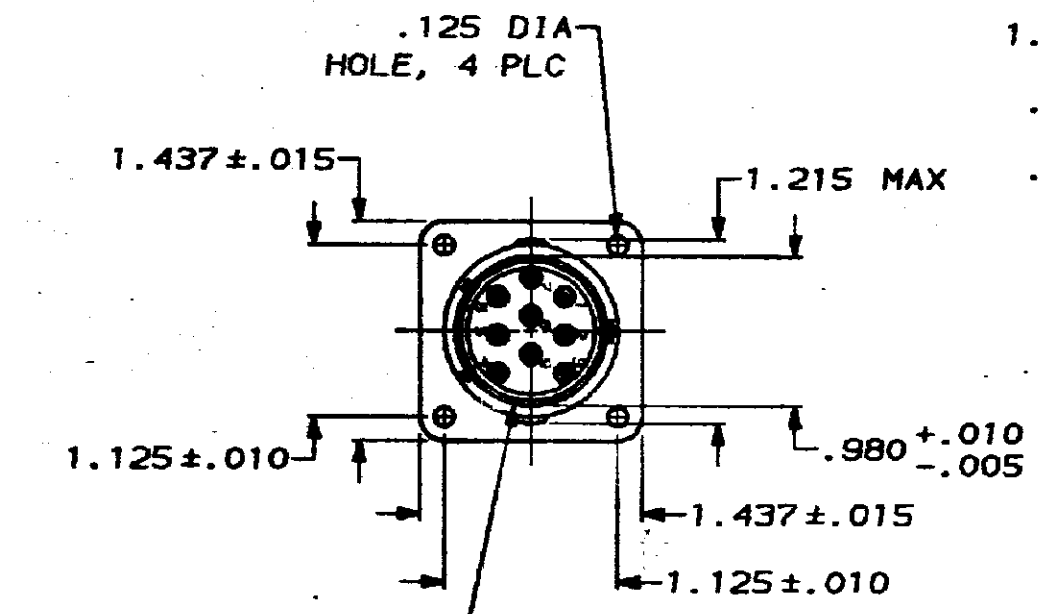


THIS DRAWING IS UNPUBLISHED. RELEASED FOR PUBLICATION .19
 © COPYRIGHT 19 BY AMP INCORPORATED. ALL INTERNATIONAL RIGHTS RESERVED.

MOD	LOC	Q137	REVISIONS				
			ZONE	LTR	DESCRIPTION	DATE	APPD
23	BD	39		D	REDRAWN AND REV PER ECN BD4183	8-10-80	KB
			V	E	REV PER ECN BD5258	08/13/91	KB



1. WIRE INSULATION SEALING RANGE .070-.115 DIA.
2. MATES WITH 208530-1.
3. TOTAL LENGTH OF MATED CONNECTORS IS LESS THAN 2.50 INCHES.
4. THIN MEMBRANE PERMISSIBLE ON SMALL DIAMETER OF WIRE SEALS.

RECOMMENDED PANEL CUTOUT

208546-1
PART NUMBER

DO NOT SCALE PRINT. UNLESS SPECIFIED DIMENSIONS IN INCHES. TOLERANCES ON: 2 PLC DEC * - 3 PLC DEC * .005 ANGLES * -	DR 8-10-80 J. GALLUCI GS CHK 1-4-81 J. ROCLINTON APPD 1-10-81 E. BEAVER APPD 1-20-91 J. FILIPONI PRODUCT SPEC APPLICATION SPEC WEIGHT -	AMP INCORPORATED Harrisburg, Pa. 17105 NAME ECONOSEAL, SQUARE FLANGE RECEPTACLE, SHELL SIZE 17, 9 POSN, PIN CONTACTS SIZE B PSCH NO 00779 SCALE 1:1
------------------------------------------------------------------------------------------------------------------------------	-----------------------------------------------------------------------------------------------------------------------------------------------------------------------	-----------------------------------------------------------------------------------------------------------------------------------------------------------------------

AMP INCORPORATED Harrisburg, Pa. 17105	NAME ECONOSEAL, SQUARE FLANGE RECEPTACLE, SHELL SIZE 17, 9 POSN, PIN CONTACTS
SIZE B	PSCH NO 00779
SCALE 1:1	DRAWING NO 208546
	SHEET 1 OF 1

CUSTOMER DRAWING