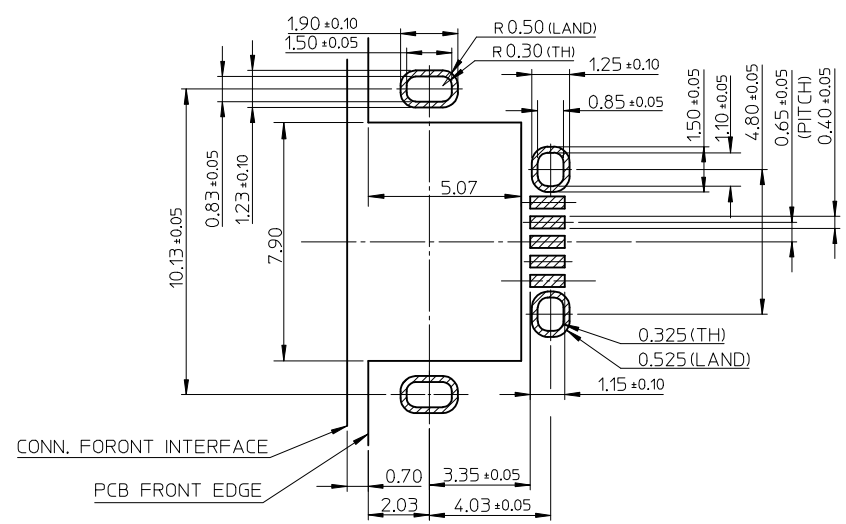
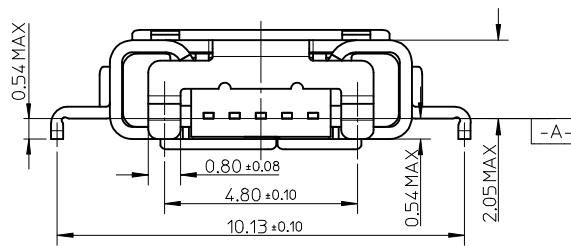


NOTES:

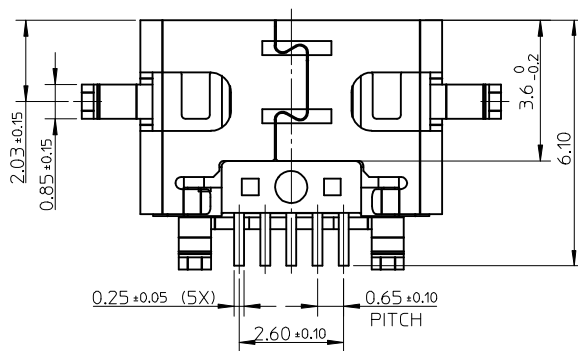
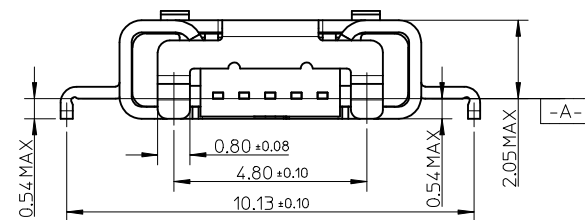
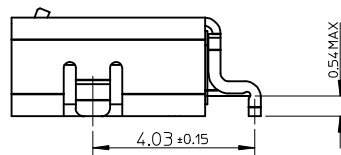
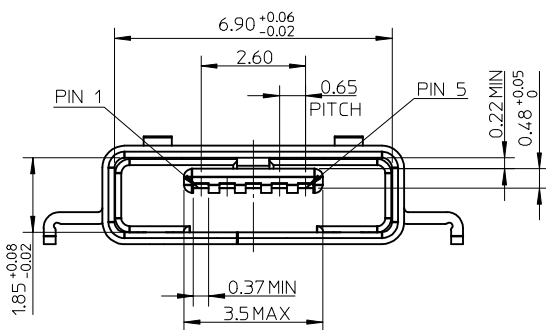
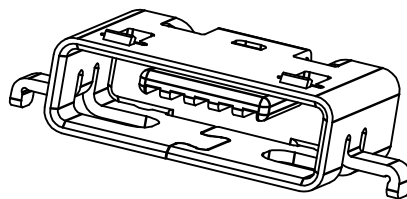
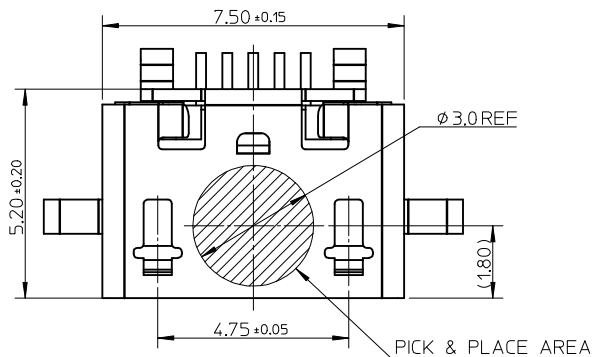
- MATERIAL:
HOUSING: LCP, GRAY, UL94V-0;
TERMINAL: COPPER ALLOY, THICKNESS: 0.15mm;
SHELL: STAINLESS STEEL, THICKNESS: 0.30mm.
- PLATING:
TERMINAL: CONTACT AREA: GOLD FLASH (0.11 MICRON MIN.) OVER MINIMUM 0.75 MICRON Pd/Ni.
SOLDER TAIL AREA: GOLD FLASH (0.05 MICRON MINIMUM);
UNDER PLATING: NICKEL 2.0 MICROMN MINIMUM.
SHELL: 1.27 MICRON MINIMUM MATTE TIN OVER 1.27 MICRON MINIMUM NICKEL UNDER PLATING.
- TAIL COPLANARITY 0.08mm MAXIMUM.
- PRODUCT SPECIFICATION: PS-47642-001.
- PACKAGING SPECIFICATION: PK-47654-001.
- COMPLIANT TO RoHS DIRECTIVE 2002/95/EC AND ELV DIRECTIVE 2000/53/EC.



RECOMMENDED PCB LAYOUT (Thickness=0.6mm~1.2mm)



REVISED EC NO: SH2013-0426 DRWN: XQZHANG 2013/05/28 CHKD: XQZHANG 2013/05/28 APPR: ATIN 2013/06/13	QUALITY SYMBOLS F _A =0 F _G =0 F _P =0	GENERAL TOLERANCES (UNLESS SPECIFIED)		DIMENSION STYLE MM ONLY		SCALE 1:1	DESIGN UNITS METRIC	THIRD ANGLE PROJECTION		
			mm	INCH	DRAWN BY XJSONG	DATE 2011/03/17	TITLE MICRO USB AB REC. SINK TYPE			
		4 PLACES	± ---	± ---	CHECKED BY	DATE	molex			
		3 PLACES	± ---	± ---	APPROVED BY RZHANG	DATE 2011/09/05				
	ANGULAR ± 3 °		MATERIAL NO. 47654-1001	DOCUMENT NO. SD-47654-101		SHEET NO. 1 OF 2				
	DRAFT WHERE APPLICABLE MUST REMAIN WITHIN DIMENSIONS		SIZE A3	THIS DRAWING CONTAINS INFORMATION THAT IS PROPRIETARY TO MOLEX INCORPORATED AND SHOULD NOT BE USED WITHOUT WRITTEN PERMISSION						



SEE SHEET 1 EC NO: SH2013-0426 DRWN:XOZHANG 2013/05/28 CHKD:XOZHANG 2013/05/28 APPR:AYIN 2013/06/13	QUALITY SYMBOLS ▽F=0 ▽E=0 ▽D=0	GENERAL TOLERANCES (UNLESS SPECIFIED)		DIMENSION STYLE	SCALE	DESIGN UNITS	THIRD ANGLE PROJECTION	
				MM ONLY	1:1	METRIC		
								TITLE
				DRAWN BY	DATE	MICRO USB AB REC. SINK TYPE FLANGELESS TYPE		
				CHECKED BY	DATE	molex		
				APPROVED BY	DATE			
						DOCUMENT NO.	SHEET NO.	
				MATERIAL NO.		SD-47654-101	2 OF 2	
				47654-1101				
				SIZE	THIS DRAWING CONTAINS INFORMATION THAT IS PROPRIETARY TO MOLEX INCORPORATED AND SHOULD NOT BE USED WITHOUT WRITTEN PERMISSION			
				A3				
				DRAFT WHERE APPLICABLE MUST REMAIN WITHIN DIMENSIONS				