

DIMENSIONS IN INCHES (MILLIMETERS)
DO NOT SCALE DRAWING

Dwg. No.

GC-509-0025

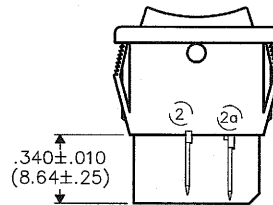
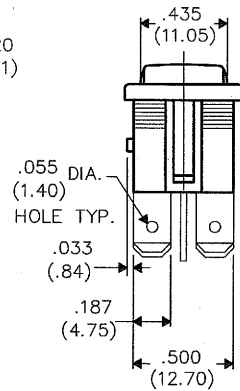
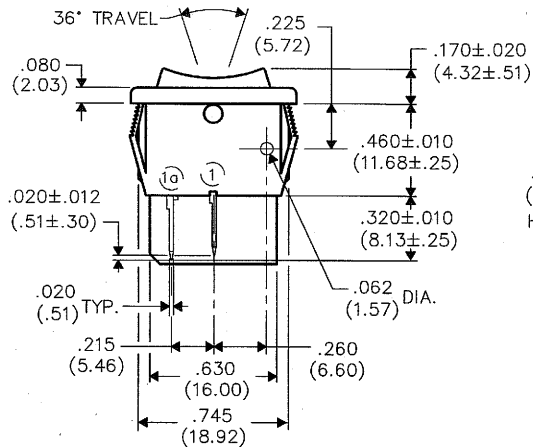
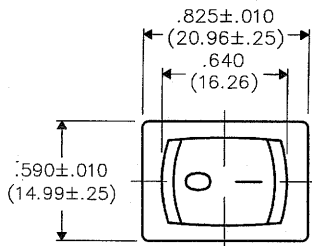
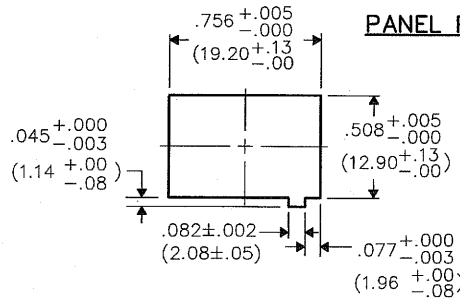
ELECTRICAL RATING

3(1.5)A 250 ~ 14
T 85°

ACTUATION FORCE

Center to End Detented	End to Center Detented	Center to End Momentary
8 - 20 oz	15 - 27 oz	20 - 32 oz

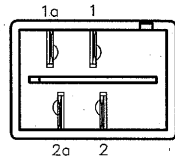
PANEL PIERCING



MATERIAL:

Housing & Knob-

UL Recognized Component plastic
Crastin 660 Manufactured by E.I. Dupont.



BOTTOM VIEW

LOGIC TABLE

ROCKER POSITION	CONTACTS SHORTED
 END (MOMENTARY)	1 - 1a (Pole 1) 2 - 2a (Pole 2)
 MIDDLE	2 - 2a
 END (DETENTED)	NONE

1 2 3 4 5 6 7 8 9 10

B-FORMAT 2002
 REVISIONS
 RELEASED
 DGW 1-12-2010
 JAN 14 2010

CW INDUSTRIES
 Southampton, Pa. 18966
 TOLERANCES UNLESS OTHERWISE SPECIFIED
 2 Place Decimal ±.010 METRIC
 3 Place Decimal ±.005 1 Place Dec. ±.25mm
 Angles ±1' 2 Place Dec. ±.13mm
 Made for: CW IND.
 Drawn by: DGW 1-12-2010
 Checked by: G. Guld 1-13-10
 Approval: G. Guld 1-13-10

Title: **MINI ROCKER SWITCH**
 Division: **SWITCH**
 Dwg. No. **GC-509-0025**

MASTER