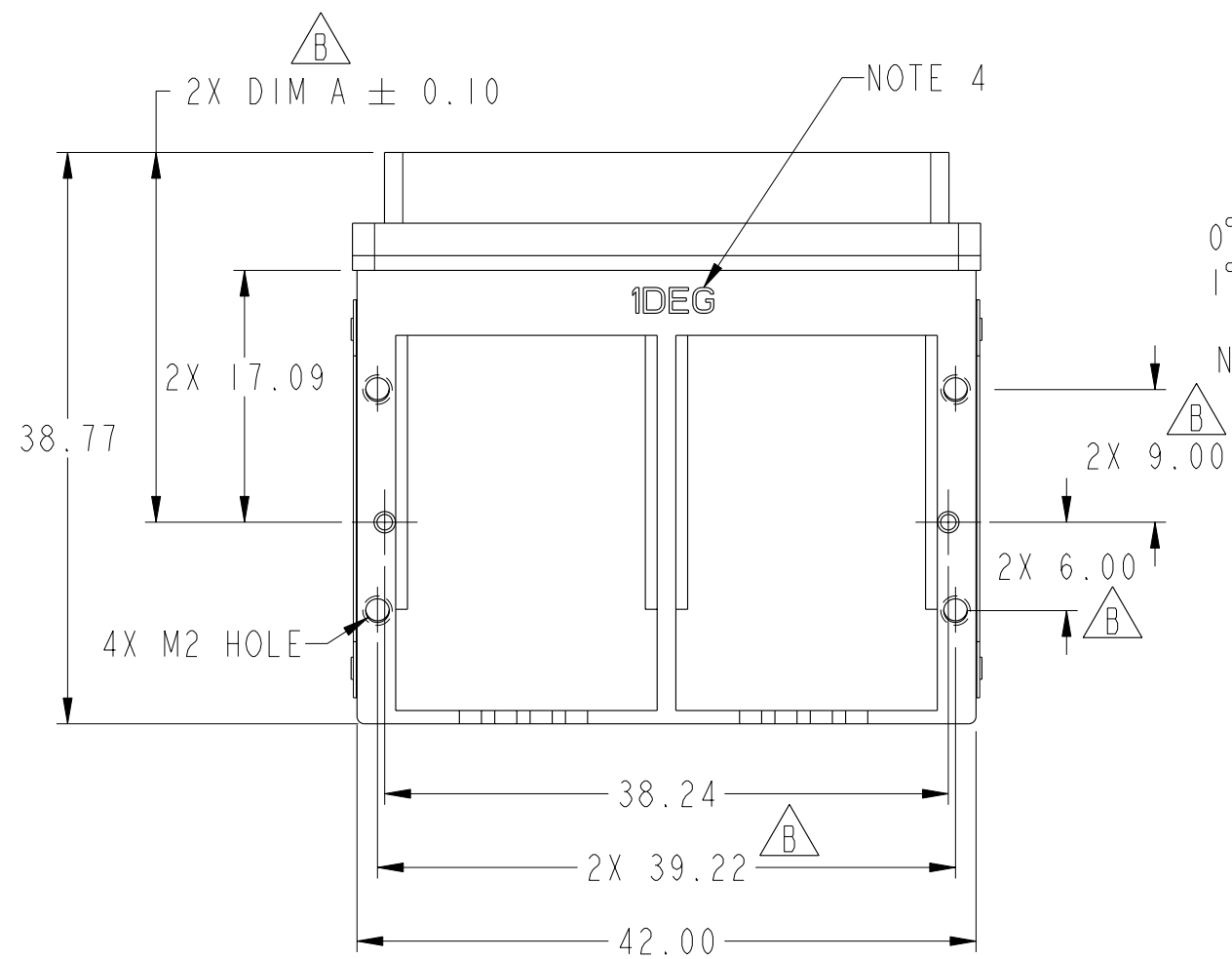
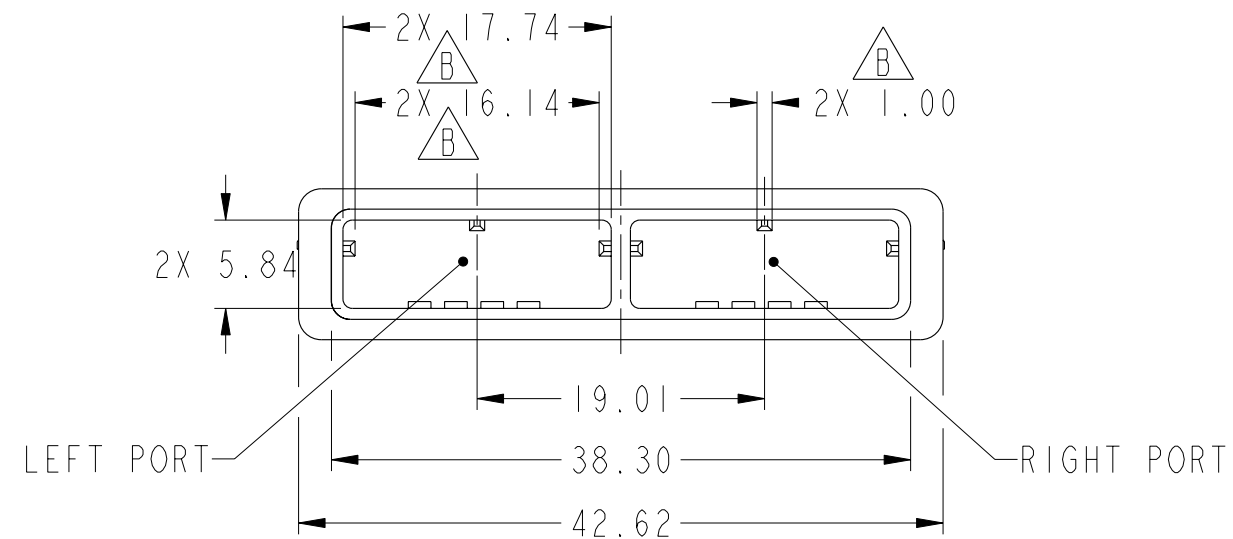


PRODUCT NUMBER
SEE TABLE

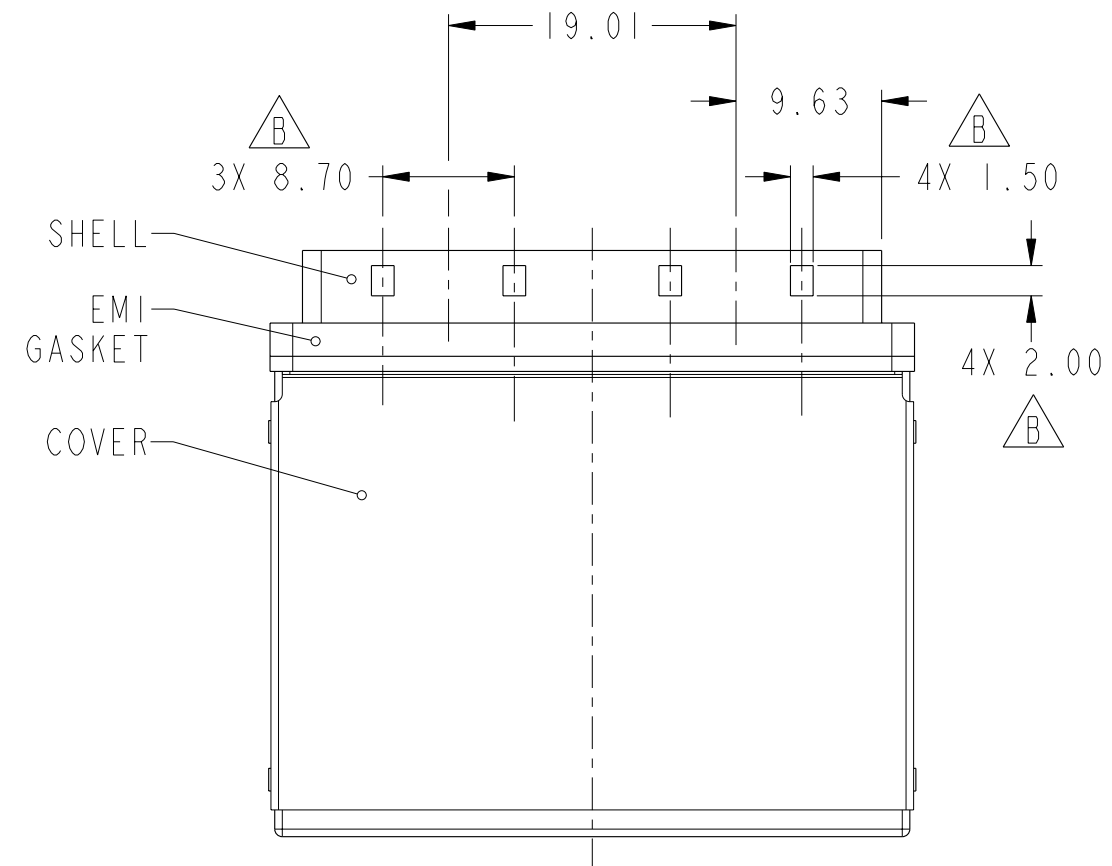


0° OR OPTIONAL
1° ANGLE SEE
PRODUCT
NUMBER TABLE

Ø 1.45

1.00

DIM B

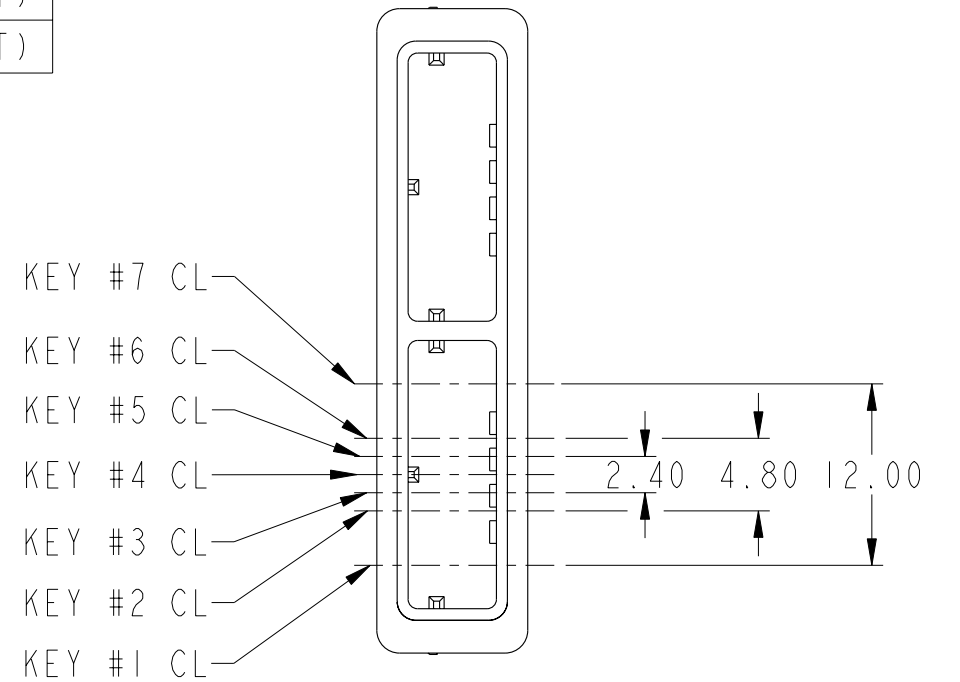
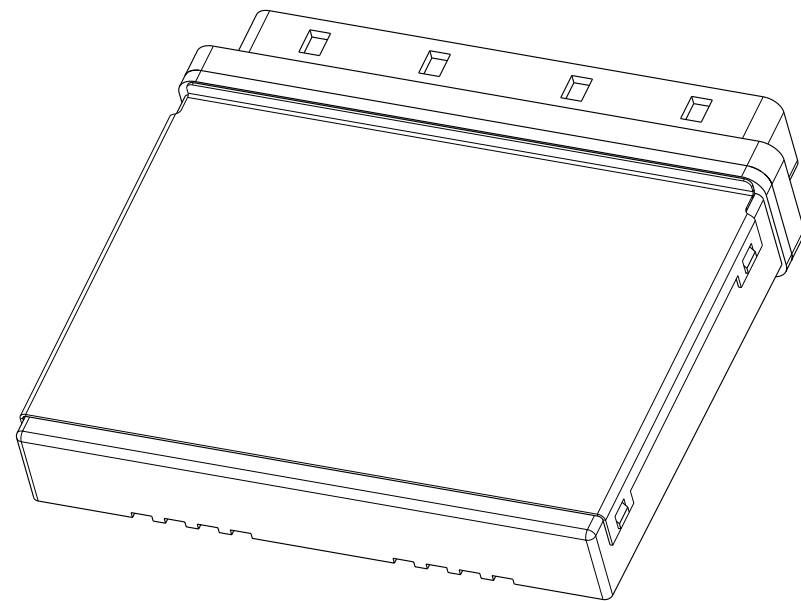
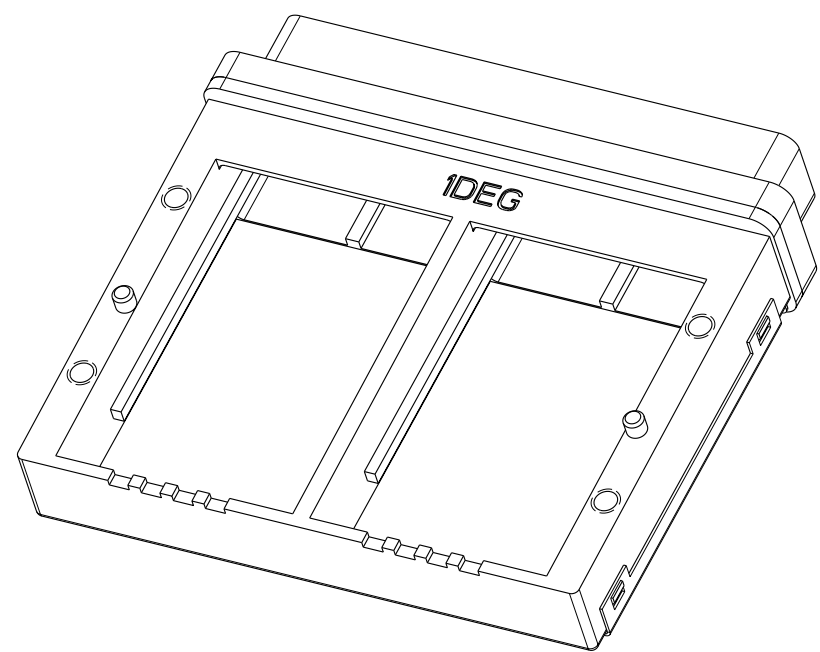


Copyright FCI.

www.fciconnect.com		surface - ✓ ASME Y14.5	tolerance std ASME Y14.5 -	projection ⊕	MM
TOLERANCES UNLESS OTHERWISE SPECIFIED					
Dr	S. MANOHARAN	2009-03-25	ANGULAR	0.X	±0.10
Eng	J. SHUEY	2009-03-25	LINEAR	0.XX	±0.05
Chr	J. SHUEY	2009-03-25	0° ±1°	0.XXX	±
Appr	J. SHUEY	2009-03-25	Product family	MINI-SAS	Spec ref -
FCI			1 X 2 GANGED CAGE		Rev. B
			MINI-SAS CONNECTOR		
catalog no			-		
			CUSTOMER		sheet 1 of 3

rev	ecn no	dr	date
A	V09-0420	RE	2009-08-20
B	V09-0550	MRG	2009-11-20
-	-	-	-
-	-	-	-
-	-	-	-
-	-	-	-

PRODUCT NUMBER	DIM A	DIM B	GASKET INCLUDED	STYLE	RAIL KEY POSITION
10098872-1102LF	25.09	6.97	YES	WITH COVER, 0 DEGREE	#4(LEFT), #4(RIGHT)
10098872-1302LF	24.96	6.45	YES	WITH COVER, 1 DEGREE	#4(LEFT), #4(RIGHT)



RAIL KEY DIMENSION

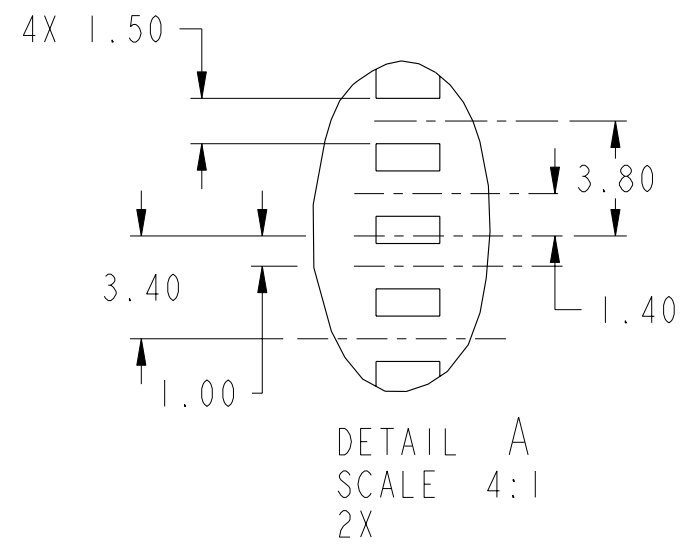
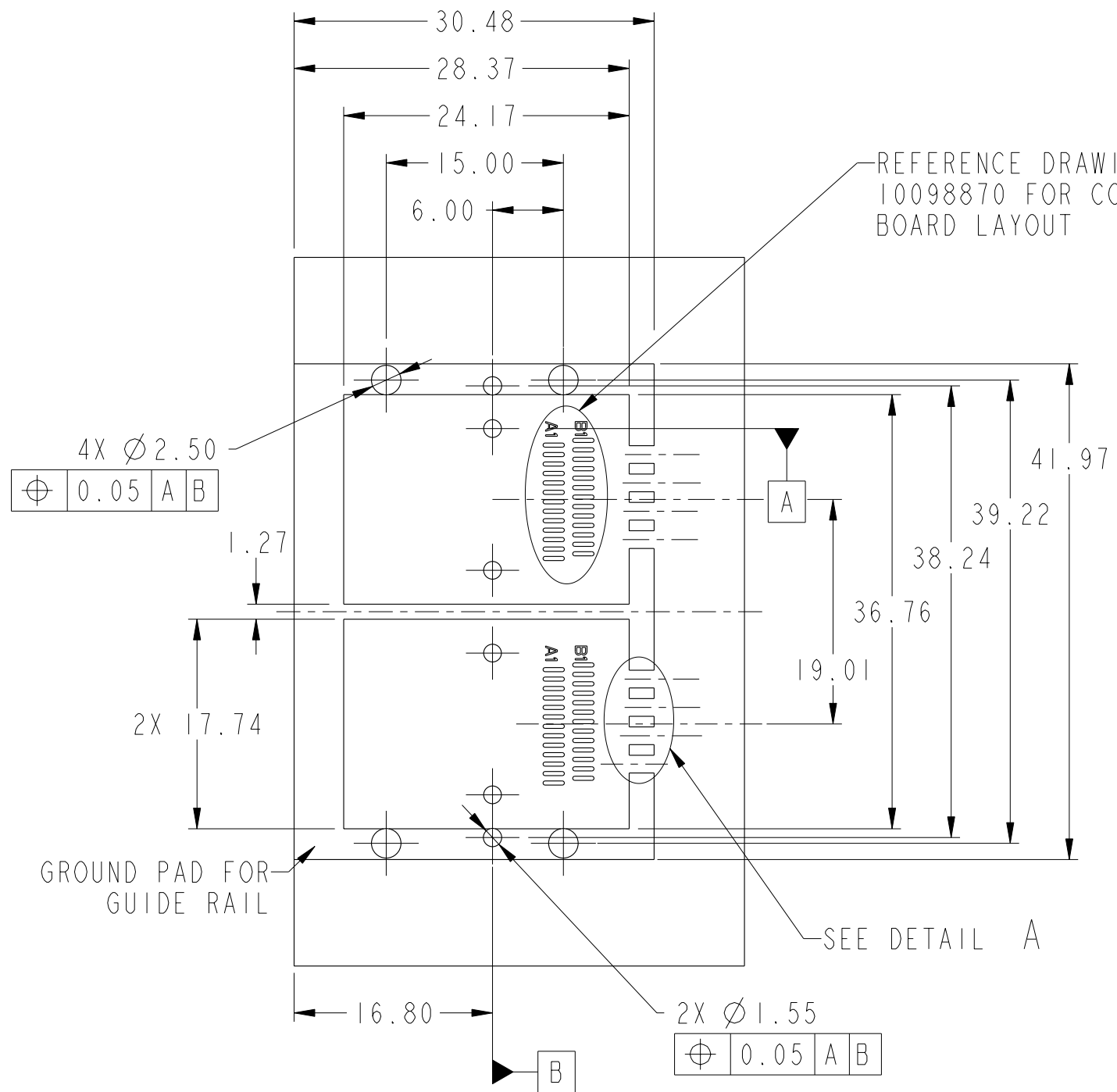
NOTES:

- ① MATERIAL:
 SHIELD: ZINC ALLOY
 PLATING: 3.81µm NICKEL MIN.
 COVER: COPPER ALLOY
 PLATING: 1.27µm NICKEL MIN.
 EMI GASKET: FLEXIBLE CONDUCTIVE MATERIAL
2. PRODUCT SPECIFICATION: GS-12-548
3. APPLICATION SPECIFICATION: GS-20-124
- ④ PRODUCT NUMBER 10098872-1302LF WILL BE MARKED WITH "1 DEG". PRODUCT NUMBER 10098872-1102LF WILL NOT HAVE A MARKING.
5. PRODUCT MEETS EUROPEAN UNION DIRECTIVES AND OTHER COUNTRY REGULATIONS AS DESCRIBED IN GS-22-008.

- △ B 6. A △ B SYMBOL WILL BE NEXT TO ANY DIMENSION, VIEW, OR NOTE, WHICH HAS BEEN MODIFIED WITH THE CURRENT DRAWING REVISION.

	title 1 X 2 GANGED CAGE MINI-SAS CONNECTOR	dwg no 10098872	Rev. B
	catalog no -	CUSTOMER	sheet 2 of 3

PRODUCT NUMBER
SEE TABLE



Copyright FCI.



1 X 2 GANGED CAGE
MINI-SAS CONNECTOR

dwg no 10098872

Rev. B

catalog no - CUSTOMER sheet 3 of 3