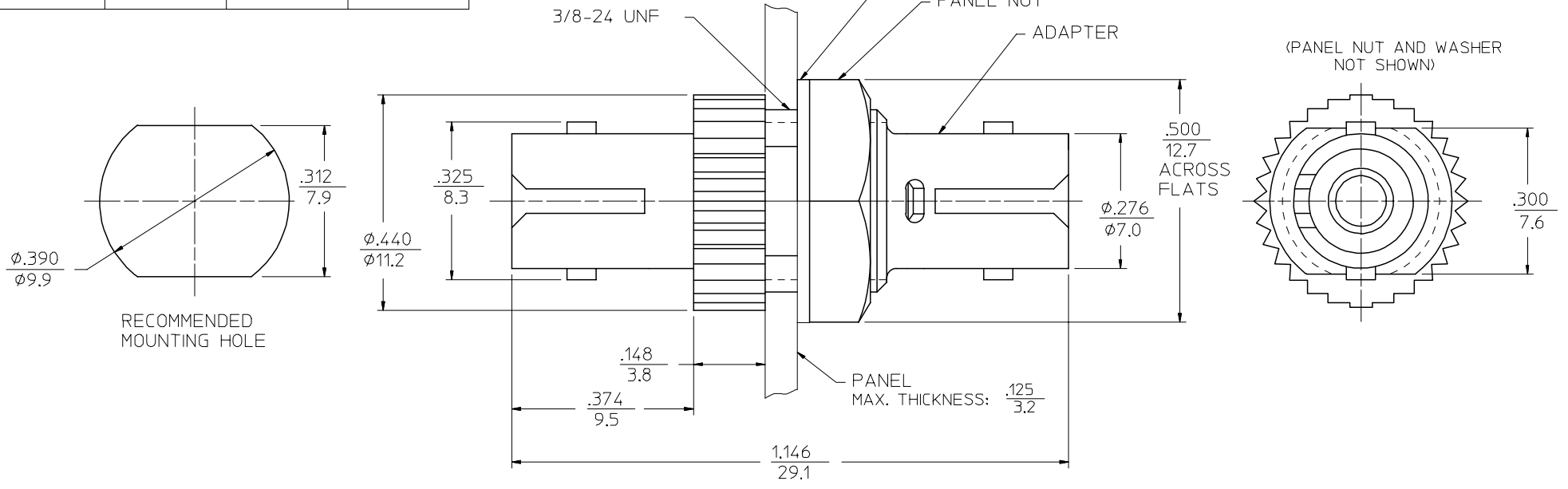


ADAPTER P/N	ALIGNMENT SLEEVE MATERIAL	RETAINING RING COLOR	DUST CAP COLOR
86110-1000	CERAMIC	NATURAL	BLACK
86112-1000	PHOSPHOR BRONZE	YELLOW	RED
86112-1100*			
86113-1000	PLASTIC	BLACK	RED
86113-1020*			
86113-1100			BLACK



NOTES:

1. DUST CAPS ARE NOT SHOWN BUT INCLUDED.

*2. P/N 86113-1020 AND P/N 86112-1100 ARE BULK PACKED IN QUANTITY OF 100 PIECES.

ENTER DESCRIPTION EC NO: MF2005-0347 TDRWN:LKATARZI 2004/12/07 CHKD: 2004/12/07 APPR: GUMIN 2004/12/07	QUALITY SYMBOLS	GENERAL TOLERANCES (UNLESS SPECIFIED)	SCALE 5:1	DESIGN UNITS INCH	THIRD ANGLE PROJECTION	REVISE ON CAD ONLY															
	▽ = 0 ▽ = 0	<table border="1"> <thead> <tr> <th></th> <th>mm</th> <th>INCH</th> </tr> </thead> <tbody> <tr> <td>4 PLACES</td> <td>± .005</td> <td>± .0005</td> </tr> <tr> <td>3 PLACES</td> <td>± .005</td> <td>± .0005</td> </tr> <tr> <td>2 PLACES</td> <td>± .005</td> <td>± .0005</td> </tr> <tr> <td>1 PLACE</td> <td>± .005</td> <td>± .0005</td> </tr> </tbody> </table>		mm	INCH	4 PLACES	± .005	± .0005	3 PLACES	± .005	± .0005	2 PLACES	± .005	± .0005	1 PLACE	± .005	± .0005	DIMENSION STYLE IN/MM		TITLE ST TYPE ADAPTER (METAL BODY)	
			mm	INCH																	
		4 PLACES	± .005	± .0005																	
3 PLACES	± .005	± .0005																			
2 PLACES	± .005	± .0005																			
1 PLACE	± .005	± .0005																			
ANGULAR ±1/2°	DRAWN BY IGUMIN	DATE 4/9/93	MATERIAL NO. SEE TABLE																		
DRAFT WHERE APPLICABLE MUST REMAIN WITHIN DIMENSIONS	CHECKED BY	DATE	APPROVED BY IGROIS	DATE 4/9/93	DOCUMENT NO. 8611X-1000CD	SHEET NO. 1 OF 1															

THIS DRAWING CONTAINS INFORMATION THAT IS PROPRIETARY TO MOLEX INCORPORATED AND SHOULD NOT BE USED WITHOUT WRITTEN PERMISSION