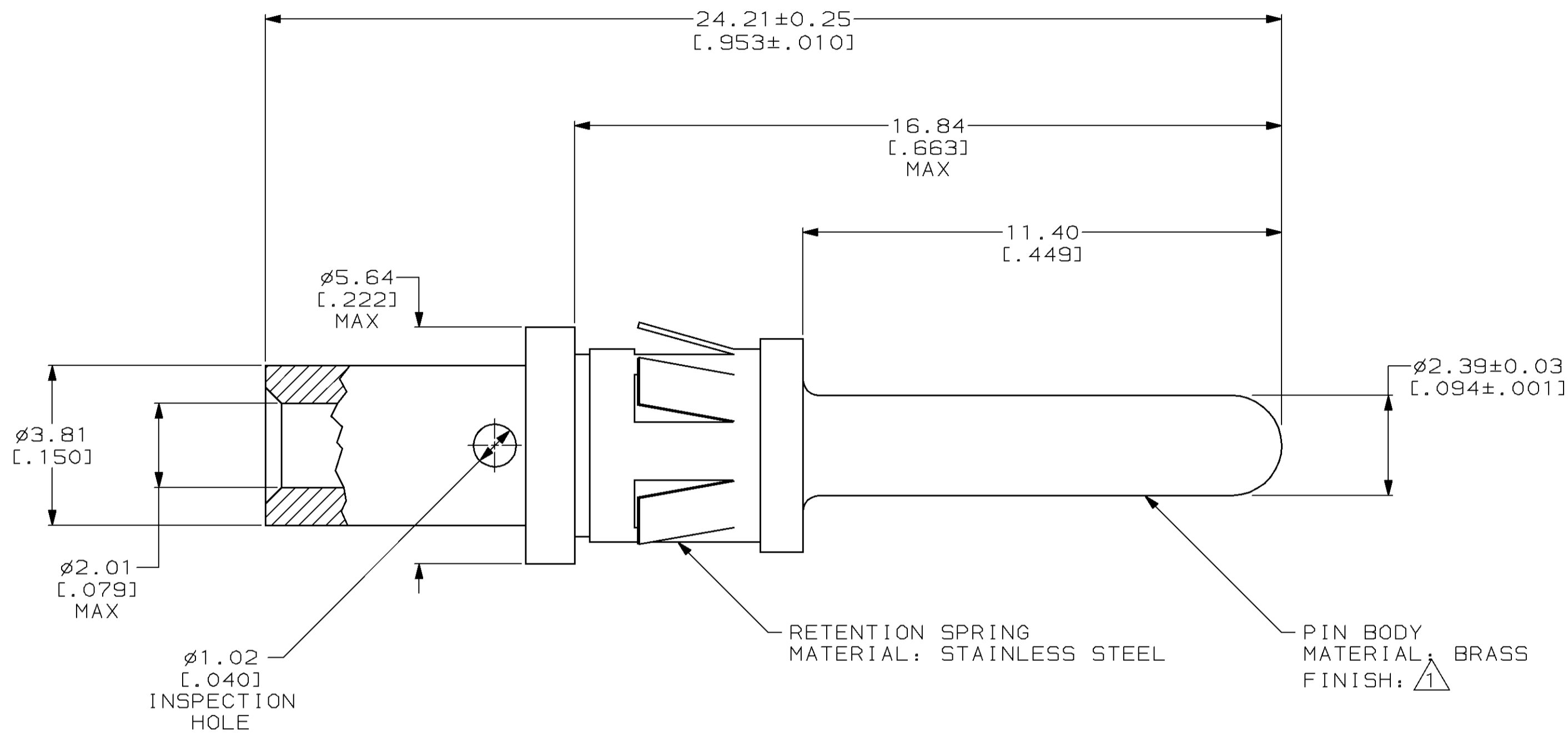


THIS DRAWING IS UNPUBLISHED. RELEASED FOR PUBLICATION  
 BY AMP INCORPORATED. ALL RIGHTS RESERVED.

LOC		DIST		REVISIONS			
P	LTR	DESCRIPTION		DATE	DWN	APVD	
FT	8	D		REDRAWN W/O CHANGE PER EC 0320-108-96	31 DEC 97	-	



- 1. 0.76µm [0.000030] MIN GOLD OVER 1.27µm [0.000050] MIN NICKEL.
- 2. ASSEMBLY MATES WITH SOCKET ASSEMBLY 202418.

202421-1  
 PART NUMBER

THIS DRAWING IS A CONTROLLED DOCUMENT.		DWN	B. CARBO	31 DEC 97	AMP Incorporated Harrisburg, PA 17105-3608
DIMENSIONS:		CHK	R. STONE	09 JAN 98	
mm [INCHES]		APVD	G. STEINHAUER	30 JAN 98	
TOLERANCES UNLESS OTHERWISE SPECIFIED:		PRODUCT SPEC		NAME	
0 PLC ±-		-		CONTACT ASSEMBLY, PIN,	
1 PLC ±-		-		#18-#16 WIRE SIZE, TYPE I	
2 PLC ±0.13 [0.005]		APPLICATION SPEC		SIZE	
3 PLC ±-		-		CAGE CODE	
4 PLC ±-		-		DRAWING NO	
ANGLES ±-		-		RESTRICTED TO	
FINISH		WEIGHT		-	
SEE CALLOUTS		-		A2 00779	
SEE CALLOUTS		CUSTOMER DRAWING		202421	
		SCALE		10:1	
		SHEET		1 OF 1	
		REV		D	

202421