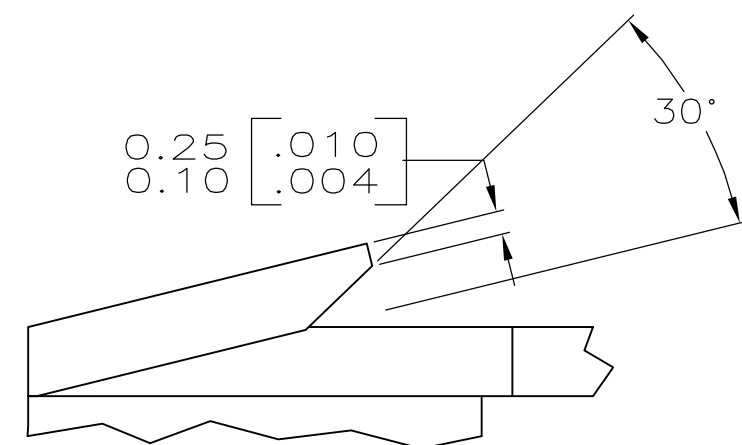
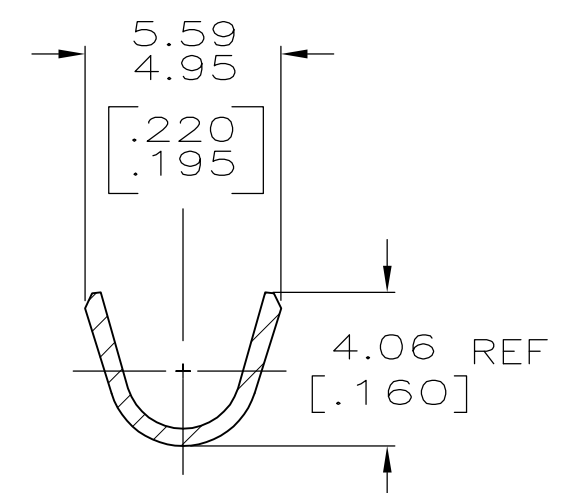
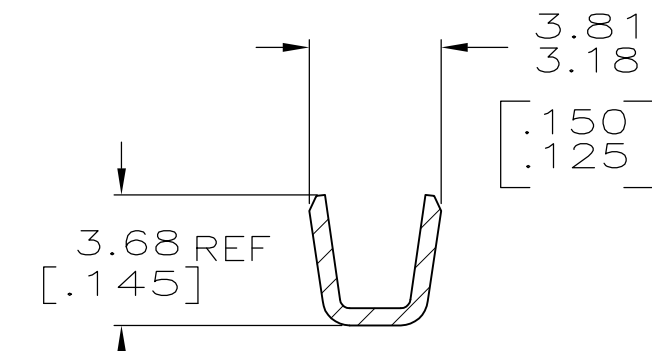
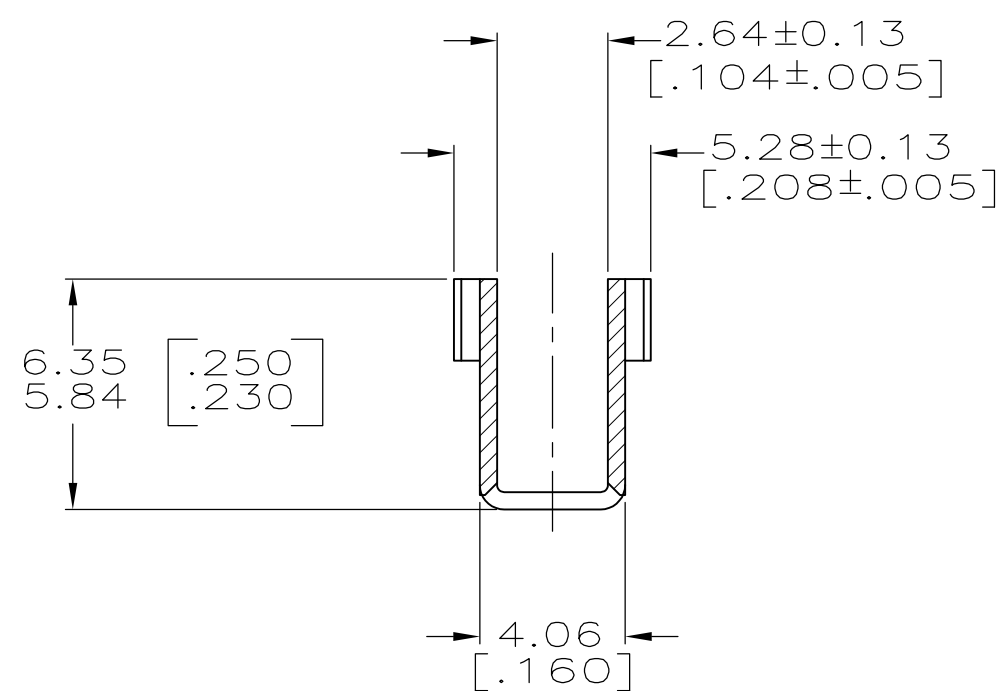
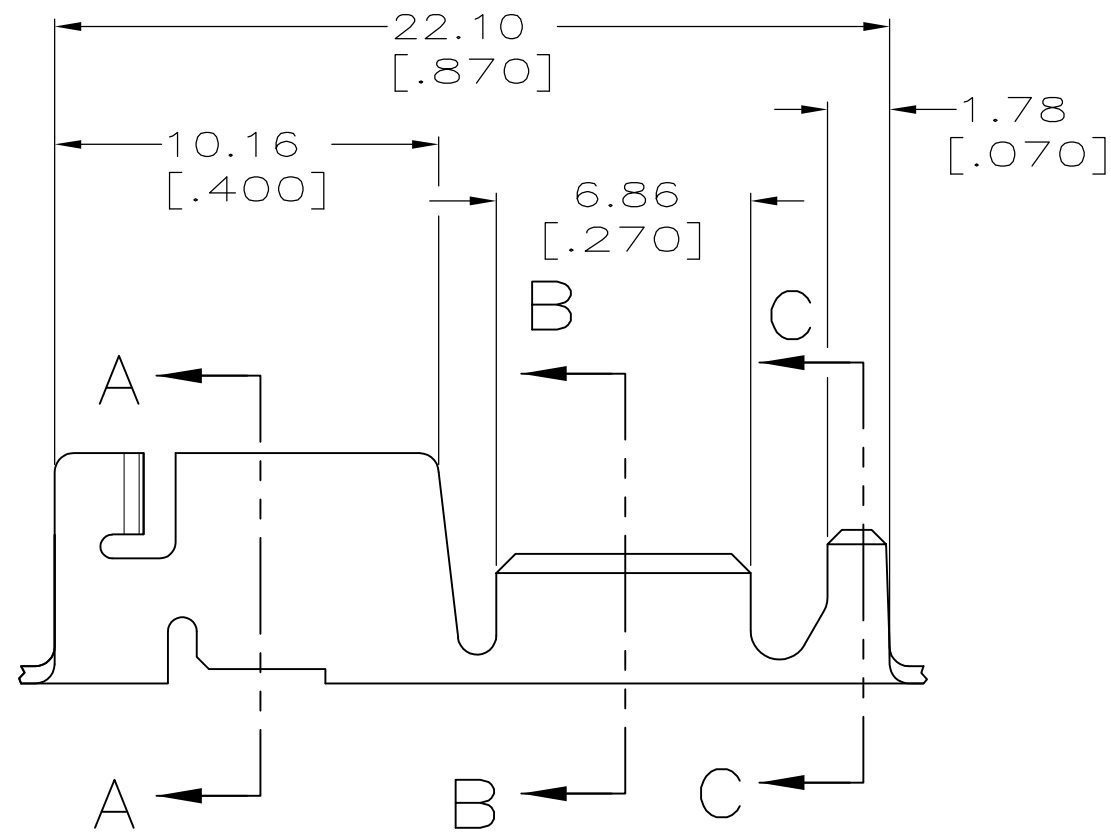
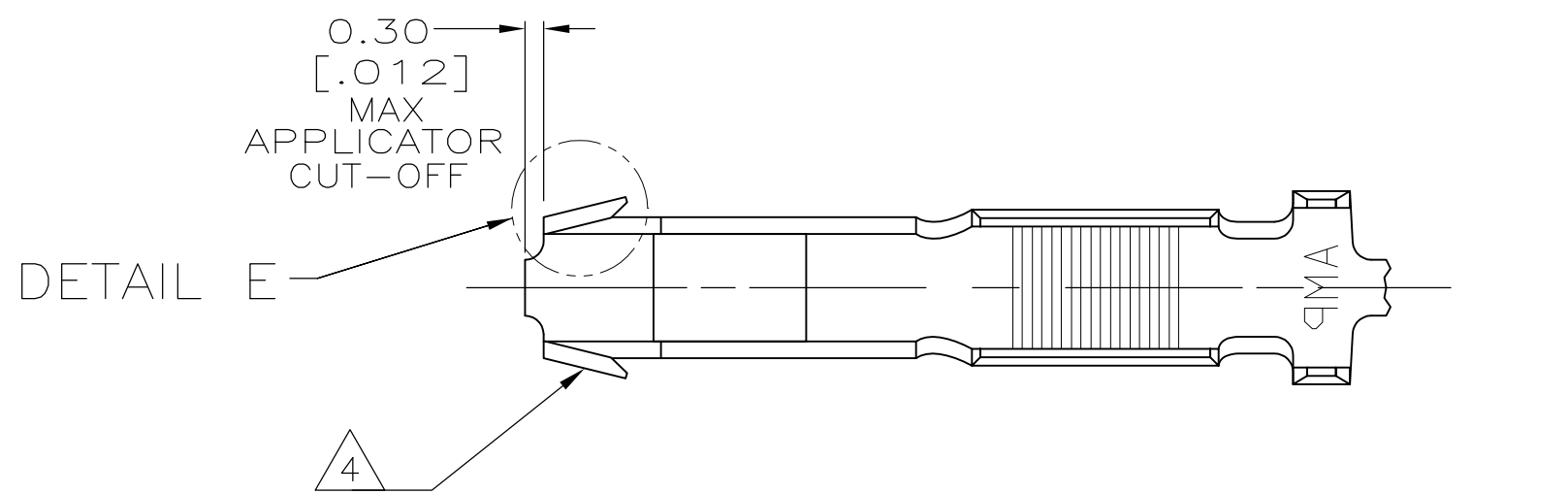
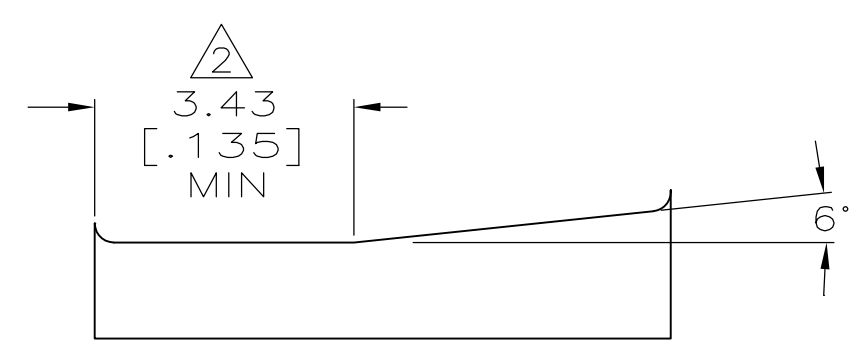


THIS DRAWING IS UNPUBLISHED. RELEASED FOR PUBLICATION
 © COPYRIGHT - By - ALL RIGHTS RESERVED.

LOC		DIST		REVISIONS			
P	LTR	DESCRIPTION		DATE	DWN	APVD	
AF	50	C1		REVISED PER ECR-13-005529	05APR13	KH	GJ



DETAIL E
SCALE 20:1



CRIMP CONFIGURATION

- CONTINUOUS STRIP ON REELS WITH TERMINALS LOCATED ON 23.75 [.935] CENTERS.
- MEASURE CRIMP HEIGHT IN THIS AREA.
- FORMULA TO CALCULATE CRIMP HEIGHT:

$$X = \frac{Y + 10100}{187500}$$

$$Y = \text{CMA}$$

$$X = \text{CRIMP HEIGHT}$$
- HIGH RETENTION FEATURE.

1.90-3.18 DIA [.075-.125]	1500-4200 CMA	1217671-1
INSULATION RANGE	WIRE RANGE	PART NUMBER

THIS DRAWING IS A CONTROLLED DOCUMENT.		DWN	JR RUTH	29JUN01	 TE Connectivity	
DIMENSIONS:		CHK	G PORTA	29JUN01		
mm [INCHES]		APVD	G PORTA	29JUN01		
TOLERANCES UNLESS OTHERWISE SPECIFIED:		PRODUCT SPEC	108-2008			
0 PLC ± -		APPLICATION SPEC	114-2019		SIZE	A2
1 PLC ± -		MATERIAL	H03 PHOSPHOR BRONZE		CAGE CODE	00779
2 PLC ± 0.25 [.010]		FINISH	POST TIN		DRAWING NO	C=1217671
3 PLC ± -					RESTRICTED TO	-
4 PLC ± -					SCALE	5:1
ANGLES ± -					SHEET	1 of 1
FINISH					REV	C1
CUSTOMER DRAWING						