

5

4

3

2

1

DRAWING NO.  
27-8150-CUST

REVISIONS

OFFICAL RELEASE

01

08-25-09 T W B Y T *Betty* 2009/08/01  
8/23/09  
+08000



Description: 50 ohm BNC Right Angle Adapter

Part No: 27-8150

Application: Adapter

Crimp Tool: N/A

Impedance: 50 Ohms

Fequency Range: 0-4 GHz

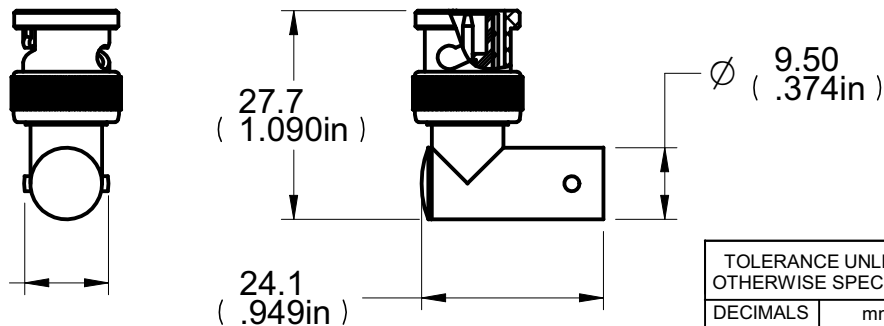
Material: Body Brass Nickel Plated  
Contact Brass Gold Plated  
Insulator Derlin  
Crimp Sleeve Brass Nickel Plated  
Coupling Nut Zinc Nickel Plated

RoHS Compliance: Yes

Technical Detail: Refer to Emerson Document P/N 27-0000

受控 CONTROLLED DOCUMENT

编号 P/N	27-8150-CUST	版本 Rev	01	日期 Rel'd Date	SEP 14,09
-----------	--------------	-----------	----	------------------	-----------



**DIM OUTLINE**

CUSTOMER COPY

TOLERANCE UNLESS OTHERWISE SPECIFIED		DRAWN BY	DATE
DECIMALS	mm	TERRY.W	08-25-09
X	± 0.5	CHECKED BY	DATE
X.X	± 0.3	TERRY.W	08-25-09
X.XX	± 0.1	APPROVED BY	DATE
ANGLES	± 0.5°	THOMAS	08-25-09
		U/M	mm



TITLE  
50 OHM BNC RIGHT ANGLE ADAPTER

THIS DRAWING WAS PRODUCED BY COMPUTER,  
DO NOT SCALE DRAWING OR UPDATE MANUALLY.

SHEET 1 OF 1	DRAWING NO. 27-8150-CUST	SIZE A
-----------------	-----------------------------	-----------

5

4

3

2

1