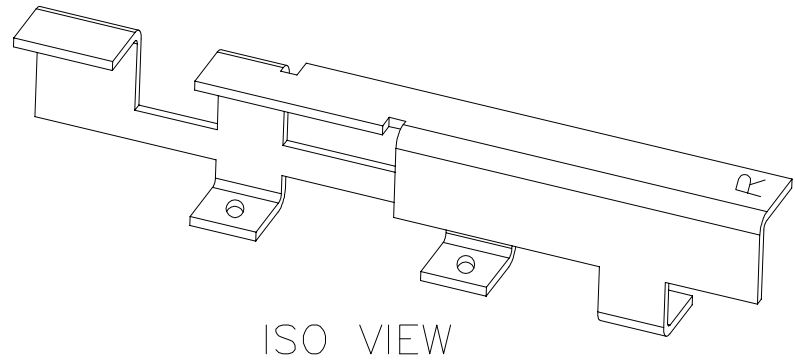
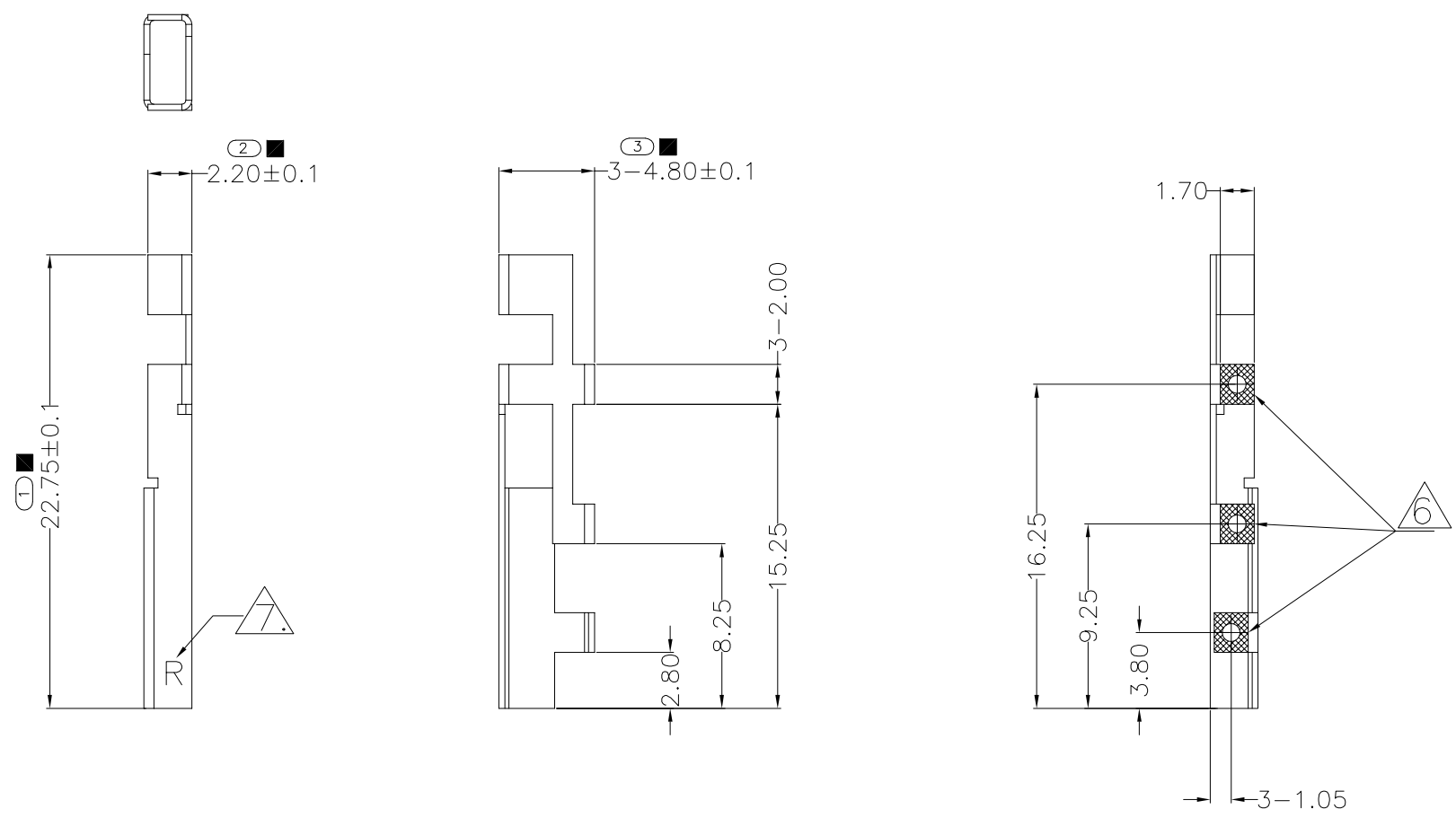


THIS DRAWING IS UNPUBLISHED. RELEASED FOR PUBLICATION 20  
 © COPYRIGHT 20 BY TYCO ELECTRONICS CORPORATION. ALL RIGHTS RESERVED.

LOC	DIST	REVISIONS				
DS	-	P	LTR	DESCRIPTION	DATE	DWN

INSPECTION ITEM NO.  
 SHEET 1 : ① ~ ③  
 ◀:6sigma CONTROLLED DIMENSION  
 ■:QIP INSPECTION ITEM

GENERAL TOLERANCE : ±0.2



NOTE

- Material : SUS 304 1/2H
  - Thickness : 0.3 t
  - Ni-Plating 1.0~5.0 micro meter  
Overplated with Sn-plating 1.0~5.0 micro meter
  - Cutting Burr : 0.1mm MAX
  - Coplanarity : 0.1mm MAX
- △ SMD Area  
 △ Stamping Specification : Intaglio "R"

<small>THIS DRAWING IS A CONTROLLED DOCUMENT FOR TYCO ELECTRONICS CORPORATION          IT IS SUBJECT TO CHANGE AND THE CONTROLLING ENGINEERING ORGANIZATION          SHOULD BE CONTACTED FOR THE LATEST REVISION.</small>		DWN	26-SEP-12			TE Connectivity		
DIMENSIONS: mm		CHK	26-SEP-12			NAME WIFI 2x2 SMD TYPE STAMPING ELEMENT-RIGHT		
		APVD	26-SEP-12					
TOLERANCES UNLESS OTHERWISE SPECIFIED: GENERAL TOLERANCE IS ±0.1 0-PLC ± 1-PLC ± 2-PLC ± 3-PLC ± 4-PLC ± ANGLES ±-		PRODUCT SPEC	-		WEIGHT	A300779		
MATERIAL -		APPLICATION SPEC	-		C= 2108517-1		RESTRICTED TO -	
FINISH -		WEIGHT	-		SCALE 3:1		SHEET 1 OF 2	
		CUSTOMER DRAWING				REV A2		

4

3

2

1

THIS DRAWING IS UNPUBLISHED.

RELEASED FOR PUBLICATION

20

LOC DS

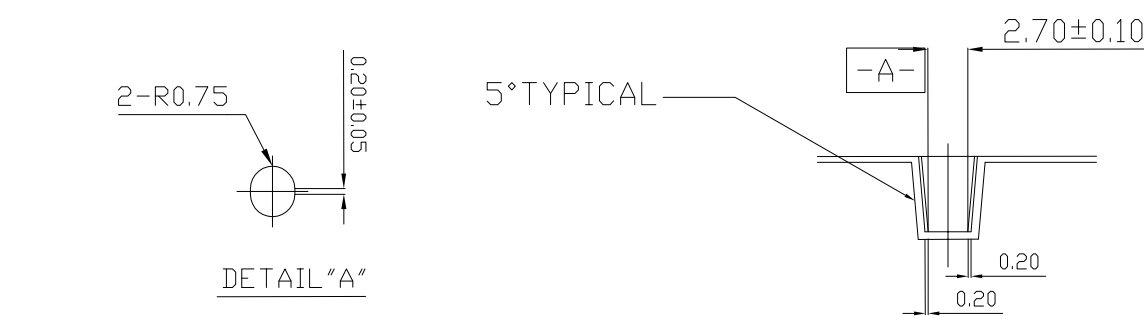
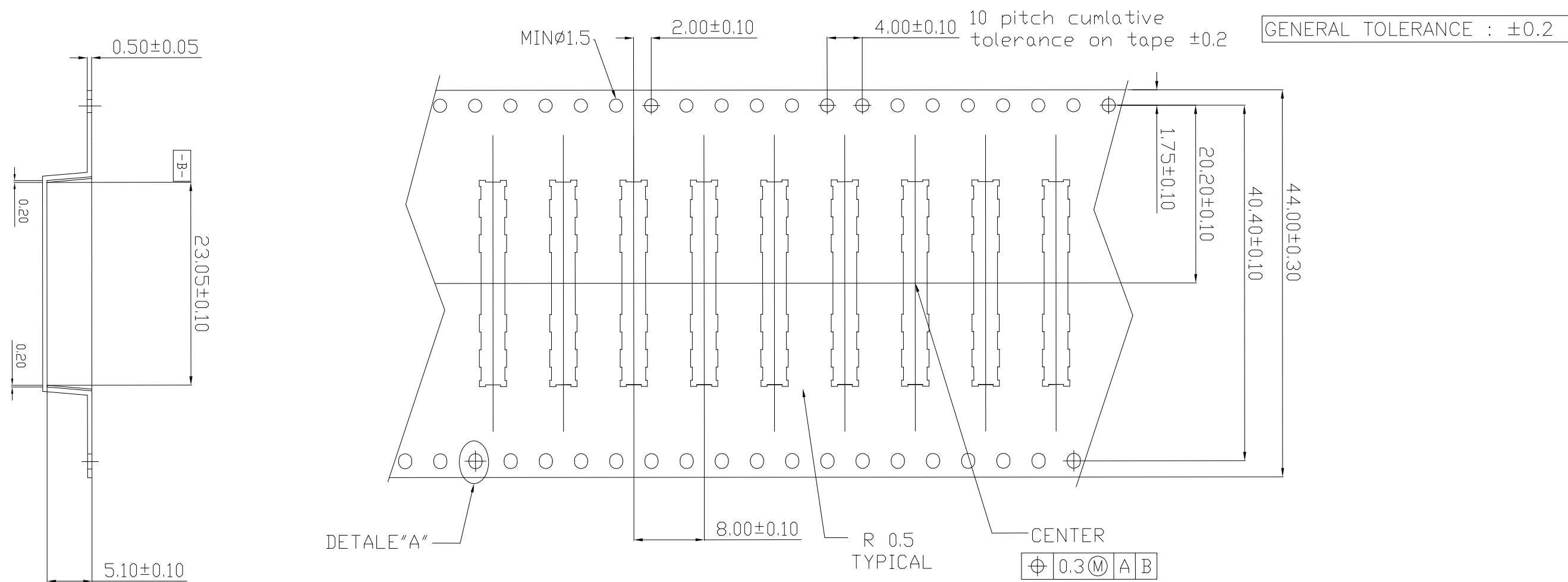
DIST -

REVISIONS

© COPYRIGHT 20

BY TYCO ELECTRONICS CORPORATION. ALL RIGHTS RESERVED.

P	LTR	DESCRIPTION	DATE	DWN



REEL	TYPE PLASTIC	COLOR BLUE	HUB 80	SIZE 330
SHEET	CL 44mmX0.5t	POCKET COUNTER	1,500 POCKET	

NOTE

1. APPLICABLE HDR P/N: TBD
2. PACKING Q'TY : 1500EA/ REEL
3. EXFOLIATION STRENGTH OF COVER TAPE : 0.1 ~ 1.27N (10~130gf)
4. MATERIAL : CARRIER TAPE : PS 0.4T  
COVER TAPE : PET 0.08T  
PLASTIC REEL : PS (CONDUCTIVE)

THIS DRAWING IS A CONTROLLED DOCUMENT FOR TYCO ELECTRONICS CORPORATION  
IT IS SUBJECT TO CHANGE AND THE CONTROLLING ENGINEERING ORGANIZATION  
SHOULD BE CONTACTED FOR THE LATEST REVISION.

DIMENSIONS: mm	TOLERANCES UNLESS OTHERWISE SPECIFIED: GENERAL TOLERANCE IS ±0.1	DWN JH.LIM 26-SEP-12	TE Connectivity	
	0-PLC ± 1-PLC ± 2-PLC ± 3-PLC ± 4-PLC ± ANGLES ± FINISH -	CHK JH.LIM 26-SEP-12		
MATERIAL		APVD JH.LIM 26-SEP-12	SIZE A300779	CAGE CODE C-2108517-1
		PRODUCT SPEC	DRAWING NO	RESTRICTED TO
		APPLICATION SPEC	SCALE 2:1	SHEET 2 OF 2
		WEIGHT	REV A2	
		CUSTOMER DRAWING		