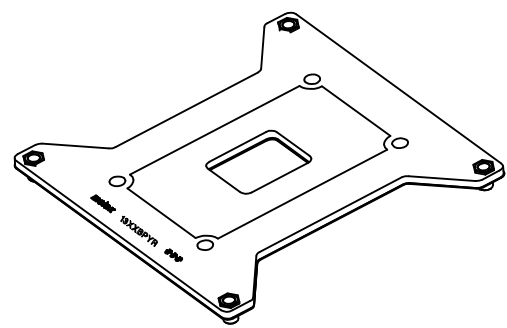
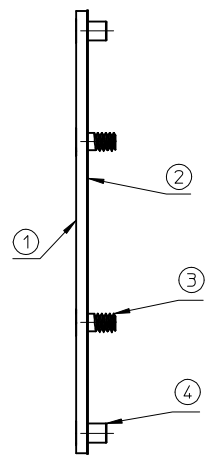
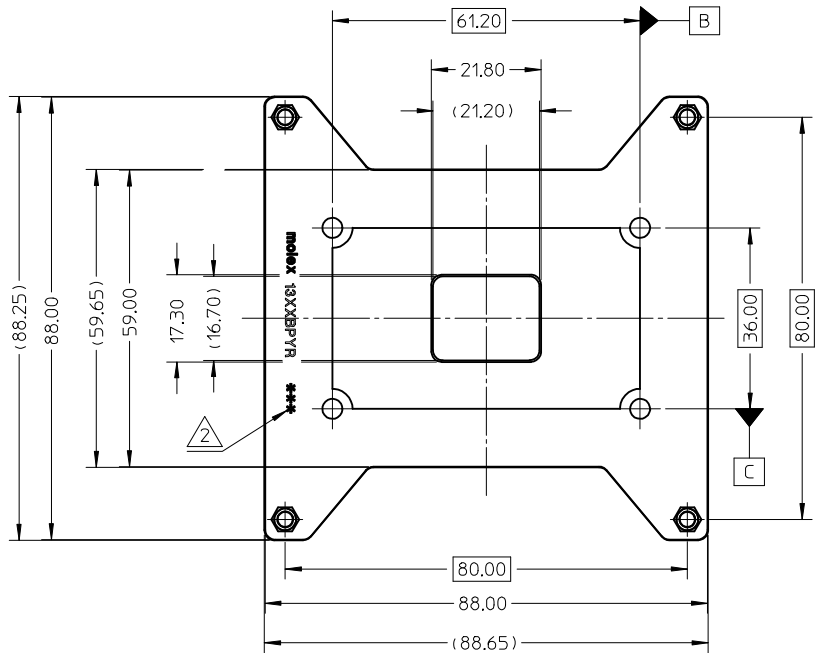
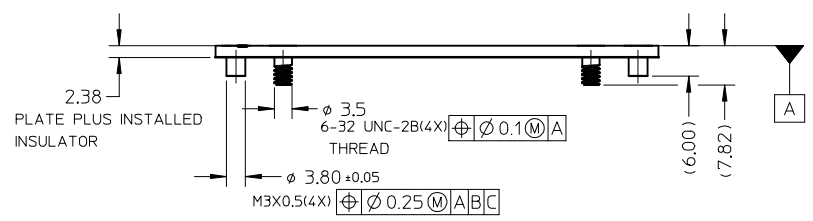


10 9 8 7 6 5 4 3 2 1



- NOTES:
- MATE WITH LGA13XX ILM ASSEMBLY
DETAIL REFER TO SD-47593-900
 - DATE CODE
 - THE PARTS 475937000 COMPLIANT TO RoHS
DIRECTIVE 2002/95/EC AND ELV 2000/53/EC



BILL OF MATERIAL			
ITEM NO	QTY	DESCRIPTION	MATERIAL
	1	BACK PLATE ASSEMBLY FOR SERVER	
①	1	BACK PLATE	STEEL WITH NICKEL PLATING
②	1	BACK PLATE INSULATOR	FORMEX GK-5BK
③	4	BACK PLATE SCREW	STEEL WITH NICKEL PLATING
④	4	BACK PLATE NUT	STEEL

ENTER DESCRIPTION EC NO: SH2013-0064 DRWN: YZHENG 2012/10/11 CHKD: APPR: AYIN 2013/02/06	QUALITY SYMBOLS $F_A=0$ $F_C=0$ $F_B=0$	GENERAL TOLERANCES (UNLESS SPECIFIED)		DIMENSION STYLE MM ONLY		SCALE 2:1	DESIGN UNITS METRIC	THIRD ANGLE PROJECTION	
			mm	INCH	DRAWN BY YOSUN	DATE 2008/10/13	TITLE 13XX CKT SOCKET BACK PLATE ASSEMBLY FOR SERVER APPLICATION MOLEX INCORPORATED DOCUMENT NO. SD-47593-700 SHEET NO. 1 OF 1		
		4 PLACES	± ---	± ---	CHECKED BY JKACHLIC	DATE 2008/10/13			
		3 PLACES	± ---	± ---	APPROVED BY AYIN	DATE 2010/10/22			
2 PLACES	± 0.2	± ---	MATERIAL NO. 47593-7000						
1 PLACE	± 0.3	± ---	DRAFT WHERE APPLICABLE MUST REMAIN WITHIN DIMENSIONS		THIS DRAWING CONTAINS INFORMATION THAT IS PROPRIETARY TO MOLEX INCORPORATED AND SHOULD NOT BE USED WITHOUT WRITTEN PERMISSION				

9 8 7 6 5 4 3 2 1