

THIS COPY IS PROVIDED ON A RESTRICTED BASIS AND IS NOT TO BE USED IN ANY WAY DETRIMENTAL TO THE INTERESTS OF PANDUIT CORP.

PANDUIT PART #	STUD SIZE	DIMENSIONS - in. [mm]				
		A ± .02 [0,5]	W ± .01 [0,3]	C ± .02 [0,5]	M ± .02 [0,5]	H ± .01 [0,3]
P18-6LF	#6	.68 [17,3]	.27 [6,9]	.22 [5,6]	.48 [12,2]	.15 [3,8]
P18-6LFW	#6	.70 [17,78]	.29 [7,4]	.22 [5,6]	.48 [12,2]	.15 [3,8]
P18-8LF	#8	.74 [18,8]	.29 [7,4]	.23 [5,8]	.53 [13,5]	.16 [4,1]
P18-10LF	#10	.74 [18,8]	.33 [8,4]	.23 [5,8]	.53 [13,5]	.19 [4,8]
P18-10LFN*	#10	.74 [18,8]	.28 [7,1]	.23 [5,8]	.53 [13,5]	.19 [4,8]

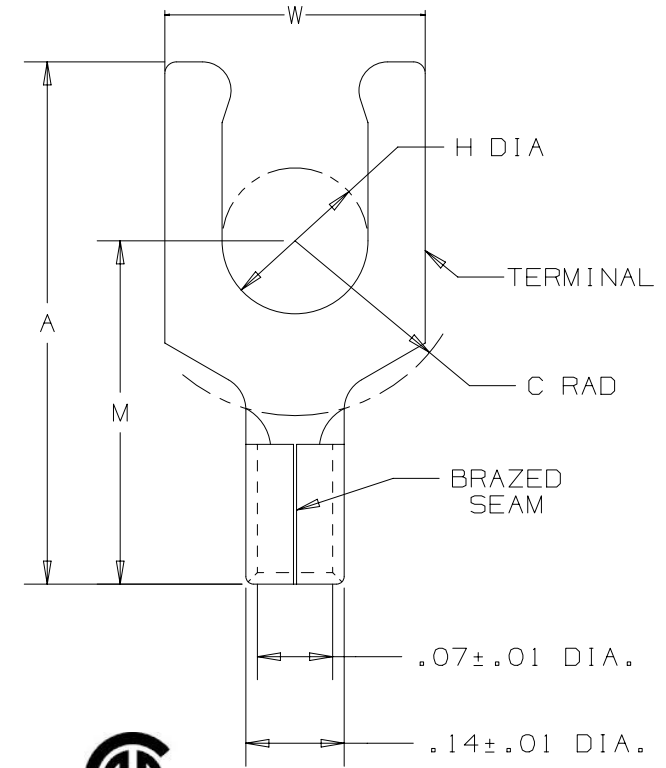
*NOT CSA CERTIFIED

NOTES:

- UL LISTED & CSA CERTIFIED FOR:
 - #22-16 AWG SOLID OR STRANDED COPPER WIRE
 - 302°F [150°C] MAX TEMP RATING
 - 2000 VOLTS MAX
- SEE WWW.PANDUIT.COM FOR PACKAGE QUANTITIES
- MATERIAL:
 - STAMPING - .032" [0,8] THK COPPER, TIN PLATED
- DIMENSIONS IN BRACKETS ARE IN MILLIMETERS
- WIRE STRIP LENGTH: $9/32" \begin{matrix} +1/32 \\ -0 \end{matrix}$ [$7,1\text{mm} \begin{matrix} +0,8 \\ -0 \end{matrix}$]

UL & CSA TOOLS
CT-100A CT-200 CT-600-A (CT-570CH) CT-1570 CT-2500 (CT-2570CH)

PANDUIT APPROVED TOOLS
CT-160 CT-260



TITLE		#22-16 BARREL NON-INSULATED LOCKING FORK	
CUSTOMER DRAWING			
ITEM REVISION NAME	N41059BA/09	PANDUIT	
DATASET FILE NAME	N41059BA/09		
UNLESS OTHERWISE SPECIFIED, DIMENSIONAL TOLERANCES ARE: IN [mm]		MATERIAL: SEE NOTE 3	
$.x \pm$ $.xx \pm$		$.xxx \pm$ ANGLES \pm	
THIRD ANGLE PROJECTION		DRAWING NUMBER: A41059	
DRAWN BY	DATE	CHK	SCALE
DRL		LA	NONE
SHT 1 OF 1		SIZE A	

REV	DATE	BY	CHK	APR	DESCRIPTION	ECN
09	5/17	JHNU	TMR	RGB	ADDED CSA BACK TO DWG, UPDATED TOOL CHART FORMAT	N41059BA-A41059
08	06/14	MBY	JHNU	RGB	REVISED CERTIFICATIONS, REVISED NOTES, MOVED TOOLS TO TABLE, UPDATED BORDER	N41059BA-A41059

D10100DX/16