

DO NOT SCALE FROM THIS PRINT

DESIGNED & DIMENSIONED IN MILLIMETERS [INCHES]

PES-XX-XX-X-VT-XX

No OF POSITIONS

-02, -04, -06, -08

OPTION

-LC: LOCKING CLIP (USE LC-11-TM) (SEE FIG 2, SHT 2)

LEAD STYLE

-01: FOR 1.57 [.062] THICK PCB (USE SUB-C-204-01-X)  
-02: FOR 3.18 [1.25] THICK PCB (USE SUB-C-204-02-X)

VERTICAL

PLATING SPECIFICATION

-S: SELECTIVE GOLD/MATTE TIN ON TAIL  
-T: MATTE TIN ALL OVER  
-L: LIGHT SELECTIVE GOLD/MATTE TIN ON TAIL

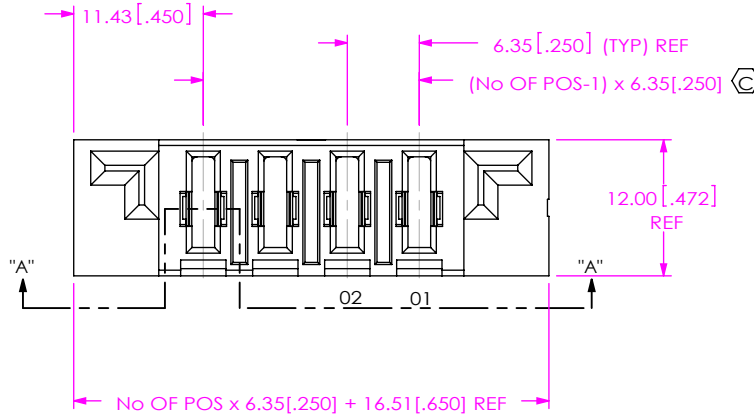


TABLE 1		
STYLE	"A"	SUB-C-204-XX-X
-01	2.47 [.097]	SUB-C-204-01-X
-02	4.07 [.160]	SUB-C-204-02-X

TABLE 3	
STACK HEIGHT	
PART NUMBER	PET-XX-XX-X-VT-XX
PES-XX-XX-X-VT-XX	18.8MM

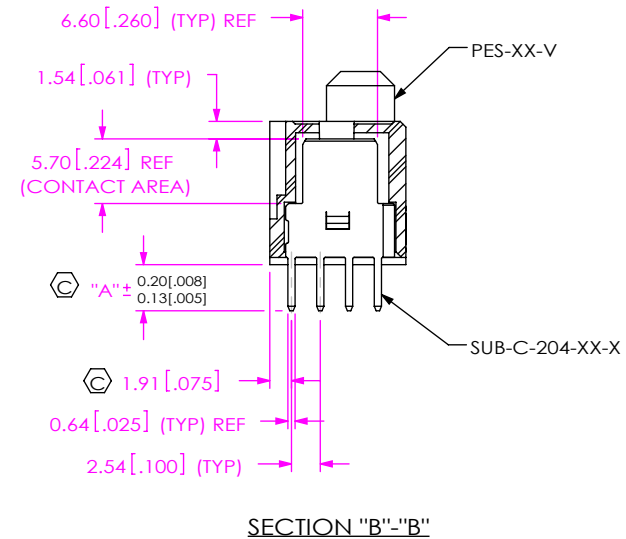
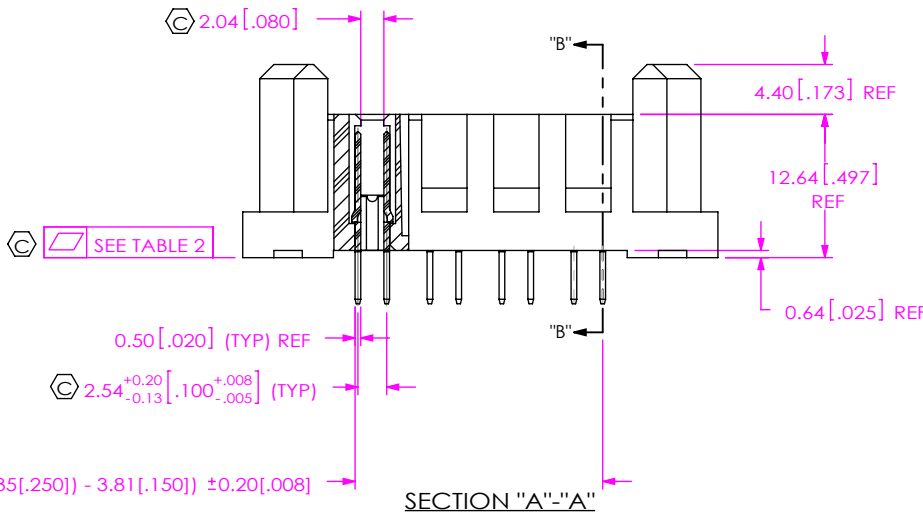



TABLE 2	
PART NUMBER	MAX
PES-02-XX-X-VT-XX	0.15 [.006]
PES-04-XX-X-VT-XX	0.15 [.006]
PES-06-XX-X-VT-XX	0.20 [.008]
PES-08-XX-X-VT-XX	0.20 [.008]

NOTES:

- ⊕ REPRESENTS A CRITICAL DIMENSION.
- MAXIMUM BURR ALLOWANCE: 0.038 [.0015]
- MINIMUM PUSHOUT FORCE: 4.45N [1.0 LB].
- PARTS TO BE PACKAGED IN TRAYS.

FIG 1 PES-04-02-X-VT SHOWN

<p>UNLESS OTHERWISE SPECIFIED, DIMENSIONS ARE IN MILLIMETERS.</p> <p>TOLERANCES ARE:</p> <p>DECIMALS ANGLES</p> <p>.X: ±0.3 [.01] 2°</p> <p>.XX: ±0.13 [.005]</p> <p>.XXX: ±0.051 [.0020]</p>	<p>PROPRIETARY NOTE</p> <p>THIS DOCUMENT CONTAINS CONFIDENTIAL AND PROPRIETARY INFORMATION AND ALL DESIGN, MANUFACTURING, REPRODUCTION, USE, PATENT RIGHTS AND SALES RIGHTS ARE EXPRESSLY RESERVED BY SAMTEC, INC. THIS DOCUMENT SHALL NOT BE DISCLOSED, IN WHOLE OR PART, TO ANY UNAUTHORIZED PERSON OR ENTITY NOR REPRODUCED, TRANSFERRED OR INCORPORATED IN ANY OTHER PROJECT IN ANY MANNER WITHOUT THE EXPRESS WRITTEN CONSENT OF SAMTEC, INC.</p>	 <p>520 PARK EAST BLVD, NEW ALBANY, IN 47150 PHONE: 812-944-6733 FAX: 812-948-5047 e-Mail: info@SAMTEC.com code: 55322</p>

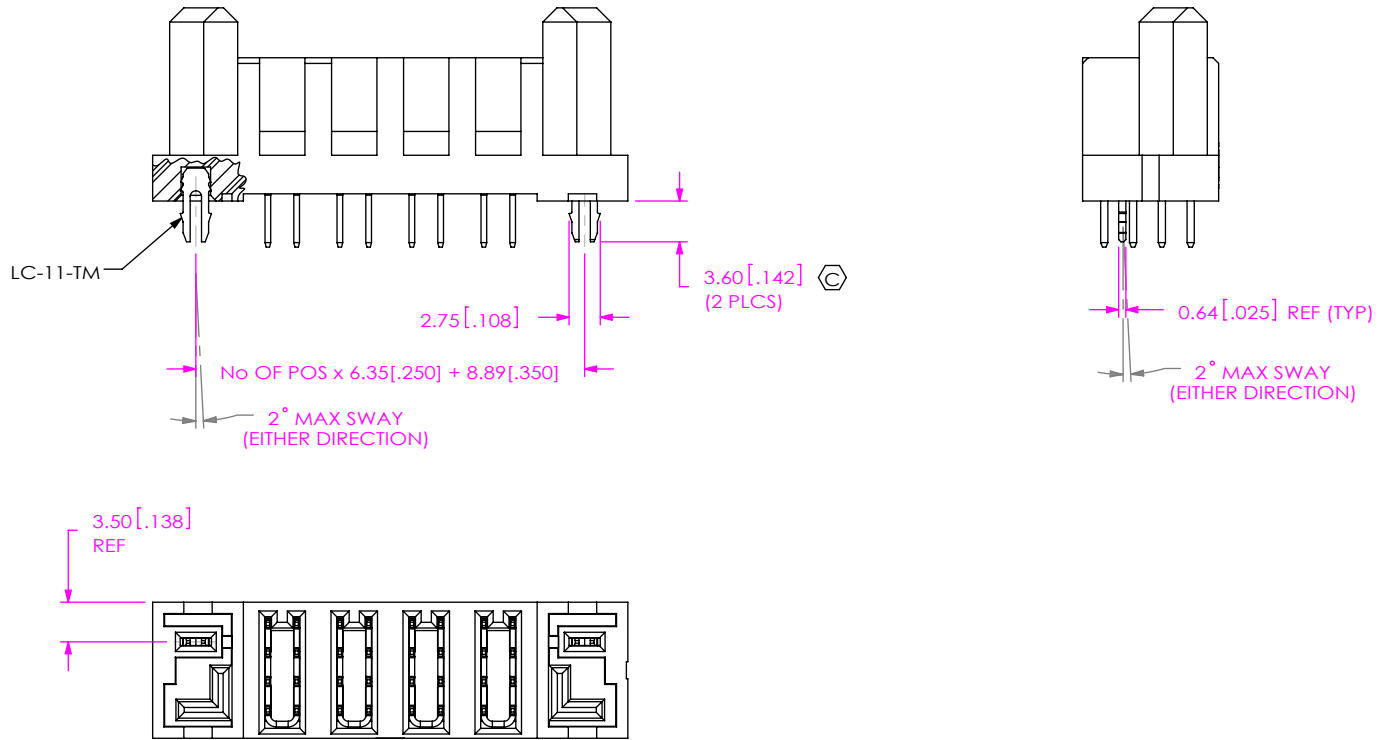


FIG 2  
 PES-04-02-X-VT-LC SHOWN  
 (SAME AS FIG 1, UNLESS OTHERWISE STATED)

**PROPRIETARY NOTE**  
 THIS DOCUMENT CONTAINS CONFIDENTIAL AND PROPRIETARY INFORMATION AND ALL DESIGN, MANUFACTURING, REPRODUCTION, USE, PATENT RIGHTS AND SALES RIGHTS ARE EXPRESSLY RESERVED BY SAMTEC, INC. THIS DOCUMENT SHALL NOT BE DISCLOSED, IN WHOLE OR PART, TO ANY UNAUTHORIZED PERSON OR ENTITY NOR REPRODUCED, TRANSFERRED OR INCORPORATED IN ANY OTHER PROJECT IN ANY MANNER WITHOUT THE EXPRESS WRITTEN CONSENT OF SAMTEC, INC.

DO NOT SCALE DRAWING

SHEET SCALE: 1:0.666667



520 PARK EAST BLVD, NEW ALBANY, IN 47150  
 PHONE: 812-944-6733 FAX: 812-948-5047  
 e-Mail: info@SAMTEC.com code: 55322

DESCRIPTION:  
 VERTICAL POWER SOCKET

DWG. NO.  
 PES-XX-XX-X-VT-XX

BY: CHAD F 3/24/2005 SHEET 2 OF 2