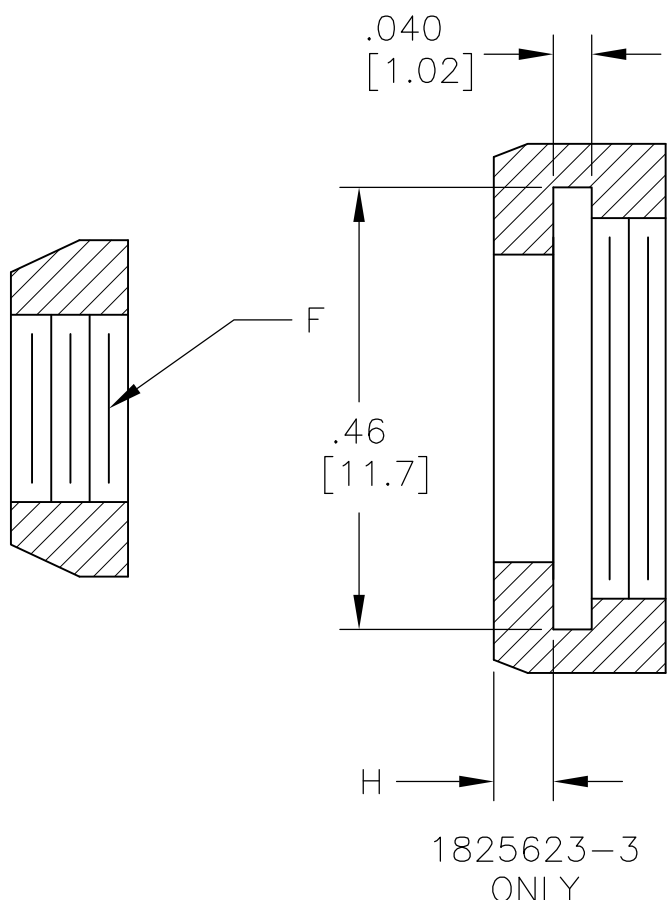
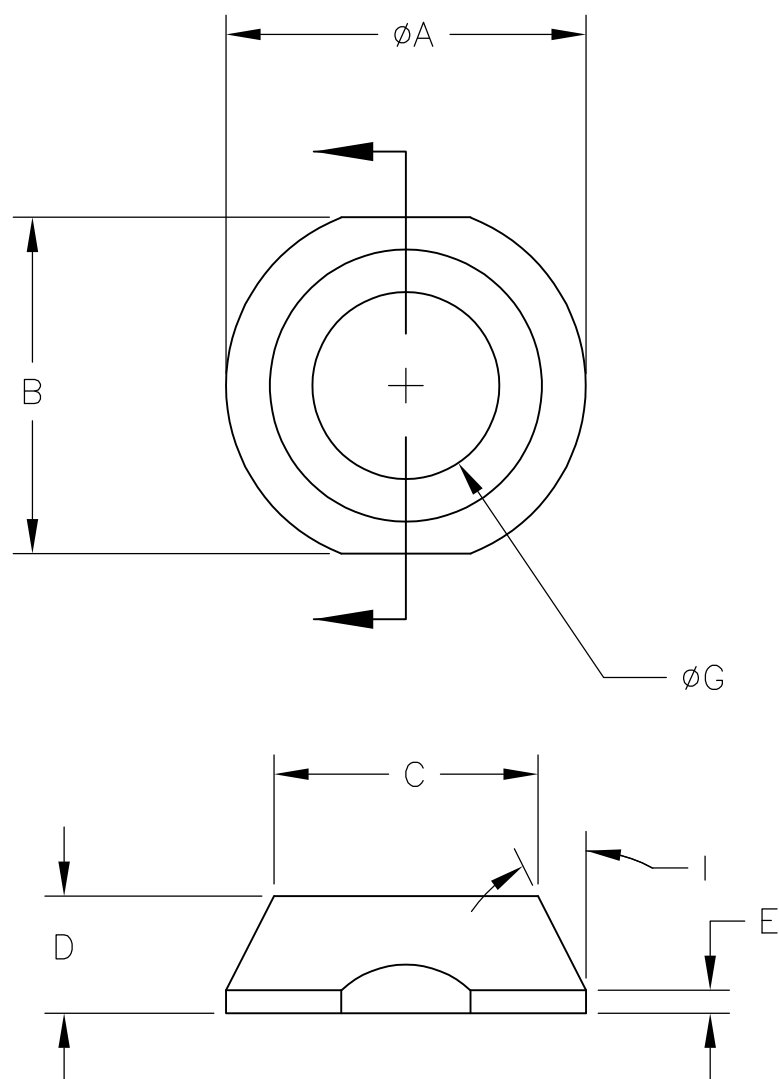


THIS DRAWING IS UNPUBLISHED. RELEASED FOR PUBLICATION
 © COPYRIGHT BY TYCO ELECTRONICS CORPORATION. ALL RIGHTS RESERVED.

LOC	DIST	REVISIONS			
P	LTR	DESCRIPTION	DATE	DWN	APVD
AD	00	A	ECO-07-10997	31MAY07	MB MW



- NO BURRS OR ROUGH EDGES PERMITTED AFTER MILLING.
- BRASS
- BRIGHT NICKEL PLATE.
- MATTE NICKEL PLATE.

1825623-3 ONLY

23' REF.	.062 [1.58]	.320 [8.13]	15/32-32 UNS 2B	.03 [0.8]	.170 [4.32]	.512 [13.01]	.551 ^{+.000} _{-.005} [14.00 ^{+.000} _{-0.13}]	.630 [16.00]	3	2	N45	1825623-3
27' REF.	-	.195 [4.95]	1/4-40 UNS 2B	.02 [0.5]	.122 [3.10]	.275 [6.99]	.346 ^{+.000} _{-.005} [8.79 ^{+.000} _{-0.13}]	.375 [9.53]	3	2	N43	1825623-2
27' REF.	-	.195 [4.95]	1/4-40 UNS 2B	.02 [0.5]	.122 [3.10]	.275 [6.99]	.346 ^{+.000} _{-.005} [8.79 ^{+.000} _{-0.13}]	.375 [9.53]	4	2	N40	1825623-1
I	H	G	F	E	D	C	B	A	FINISH	MATERIAL	ALCO PART NUMBER	PART NUMBER

THIS DRAWING IS A CONTROLLED DOCUMENT.

DWN	M.BINNER	30MAY2007	Tyco Electronics Corporation Harrisburg, PA 17105-3608
CHK	M.WILBOURN	31MAY07	
APVD	M.WILBOURN	31MAY07	
NAME	NUT, DECORATIVE		
PRODUCT SPEC	-		SIZE CAGE CODE DRAWING NO RESTRICTED TO A3 00779 C-1825623 -
APPLICATION SPEC	-		
WEIGHT	-		CUSTOMER DRAWING SCALE 5:1 SHEET 1 OF 1 REV A