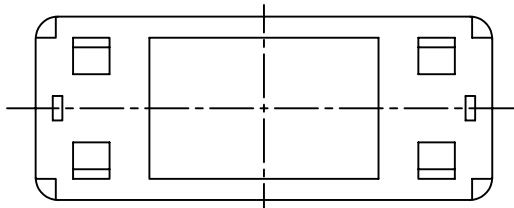
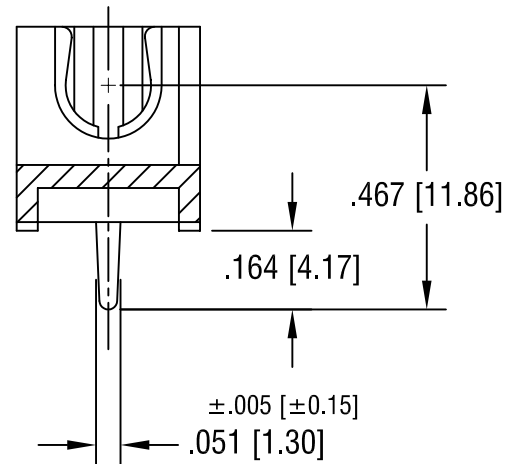
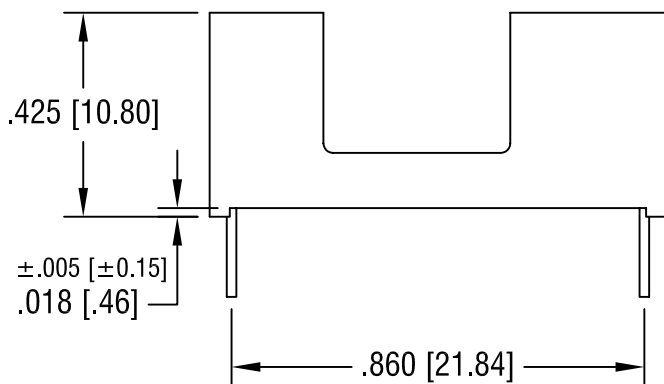
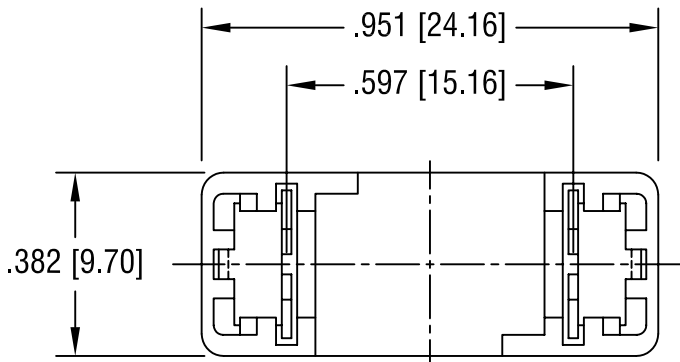


THIS DOCUMENT IS THE PROPERTY OF  
KEYSTONE ELECTRONICS CORP. AND  
SHALL NOT BE REPRODUCED, DISTRIBUTED  
OR USED AS A BASIS FOR MANUFACTURE  
WITHOUT PRIOR WRITTEN PERMISSION  
FROM KEYSTONE ELECTRONICS CORP.



NOTES:

1. BASE: MAT'L - NYLON UL 94V-0  
CONTACT: MAT'L - .020 [0.50] TH'K BRASS  
FINISH - TIN PLATE
2. MOUNTING HOLES (2): .052 [1.32] DIA.

<b>KEYSTONE ELECTRONICS CORP.</b>			
ASTORIA, N.Y. 11105-2017			
PART NAME			
5mm PC FUSE HOLDER			
MATERIAL			
AS NOTED			
FINISH		DRN BY	DATE
AS NOTED		BOONE	5.12.94
		APPD	SCALE
		LN	2.5X
TOLERANCES	INCH [MM]	CODE	DWG NO.
DECIMAL	±.010 [±0.25]	C/M	<b>4527</b>
ANGULAR	± 1°		
UNLESS OTHERWISE SPECIFIED			

11.18.98	CHANGE AS PER ECR 96-055	A
DATE	DESCRIPTION	REV.