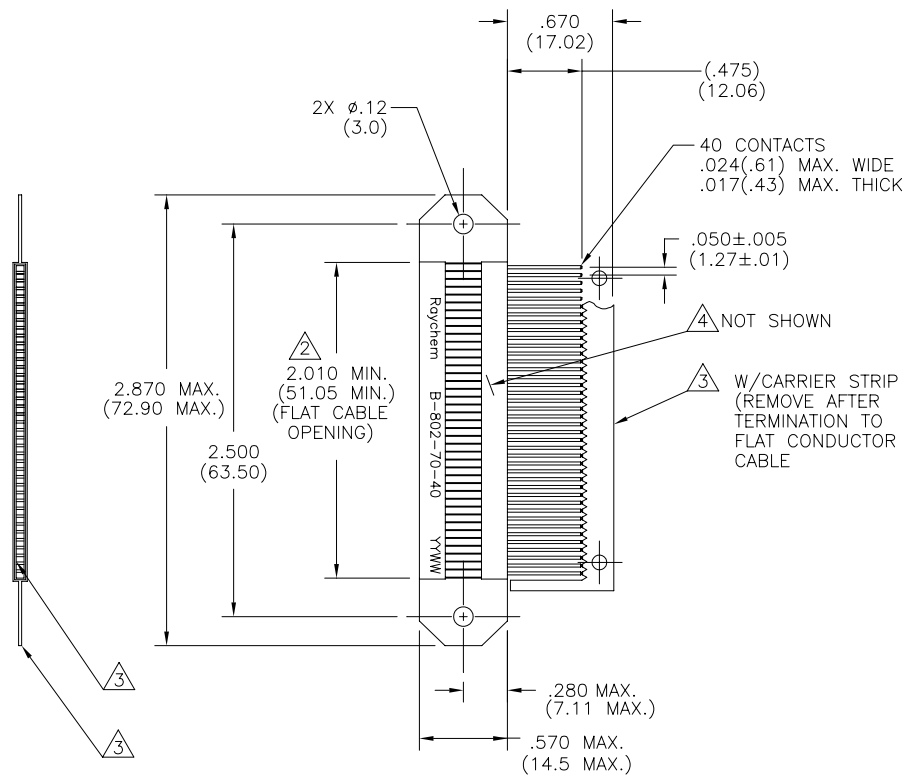


NOTES:

- 1 BOOT :  
HEAT SHRINKABLE, RADIATION CROSSLINKED MODIFIED POLYVINYLIDENE FLUORIDE, TRANSPARENT BLUE
- 2 FLAT CABLE SEAL :  
MODIFIED THERMOPLASTIC SEALANT
- 3 CONTACT :  
COPPER COATED ALLOY WITH Sn63 SOLDER AND ROL1 FLUX PER ANSI/J-STD-004
- 4 CONTACT SEAL :  
MODIFIED THERMOPLASTIC SEALANT
- 5 THIS TERMINATOR MAY BE USED TO CONNECT, BY SOLDERING, A FLAT CONDUCTOR CABLE OR PRINTED CIRCUIT BOARD TO A RIGID PRINTED CIRCUIT BOARD.
- 6. FOR INSTALLATION, REFER TO PROCEDURE RPIP-652-00-01.
- 7. USABLE FLAT CONDUCTOR CABLE: RAYCHEM TU-40-050-28B.
- 8 WEIGHT DOES NOT INCLUDE THE CARRIER STRIP.

REVISIONS			
LTR	DESCRIPTION	DATE	APPROVED
F	REVISED AND REDRAWN PER ECN #T-19866	6/2/95	HAGMANN
G	REVISED PER DCR# C040617	April/5/04	M.HIGGY
H	REVISED PER DCR# C060063	March/31/06	M.HIGGY



If this document is printed it becomes uncontrolled. Check for the latest revision

SPECIFICATION CONTROL DRAWING

© 2004-2006 Tyco Electronics Corporation. All rights reserved.

UNLESS OTHERWISE SPECIFIED DIMENSIONS ARE IN INCHES. METRIC DIMENSIONS ARE IN BRACKETS.  DECIMALS .XXX ±.020 [ .51 mm] .XX ±.XX [ mm]  ANGLE ± X'  WEIGHT 8 lbs. [ 2.9 g] MAX.	DRAWN JWELCH	DATE 6/2/95		TYCO ELECTRONICS 300 Constitution Drive Menlo Park, CA. 94025 USA		
	CHECKED R.H.	DATE 6/2/95				
	APPROVED RHAGMANN	DATE 6/2/95	TITLE PCB TERMINATOR 40 CONTACTS .050 CENTERS			
	APPROVED	DATE	CAD NAME C060063.DWG			
THIRD ANGLE PROJECTION			SIZE C	CAGE CODE: 06090	DWG. NO. B-802-70-40	REV H
DO NOT SCALE THIS DRAWING   SCALE NONE   SHEET 1 OF 1						