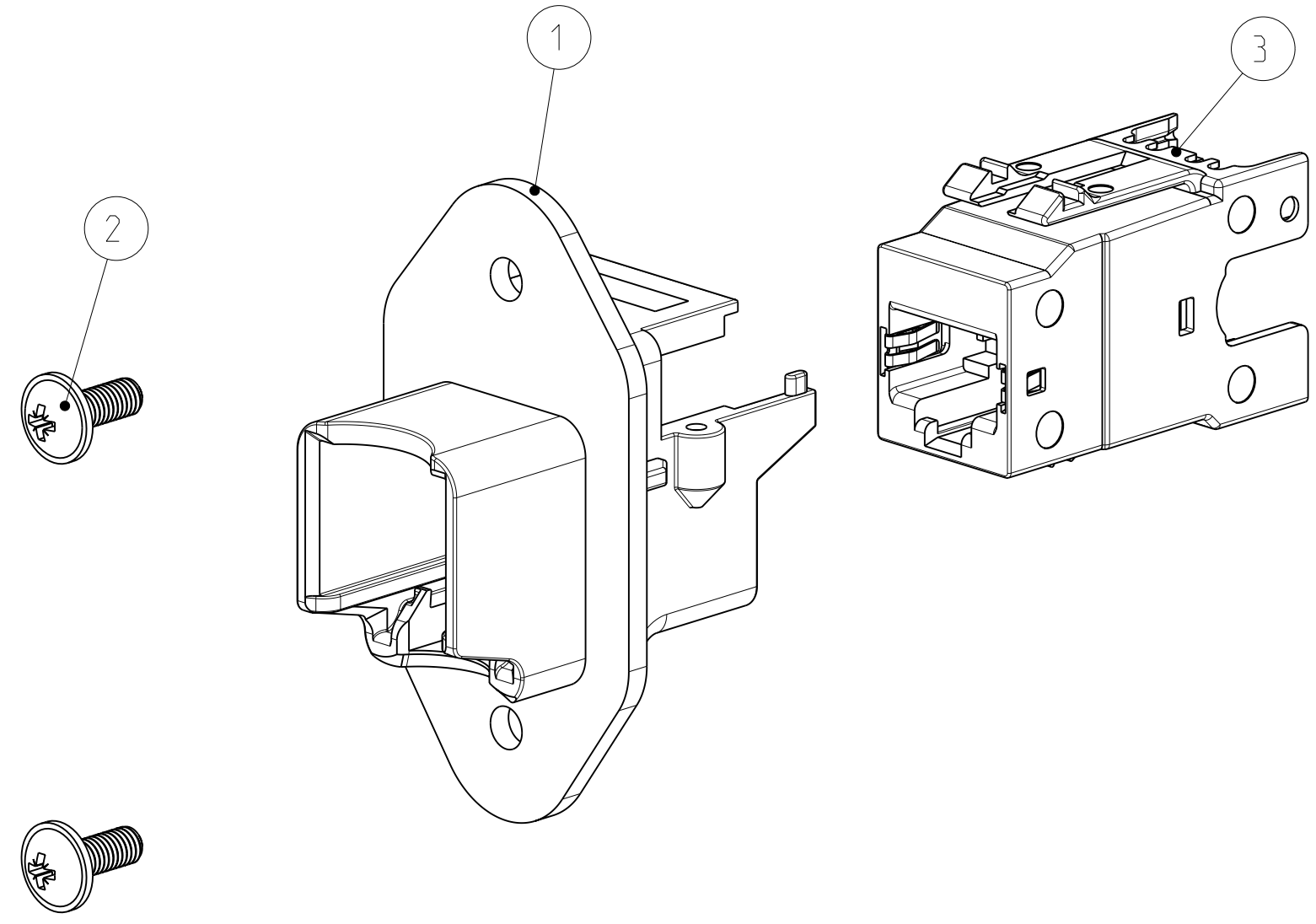


THIS DRAWING IS UNPUBLISHED. RELEASED FOR PUBLICATION 2008
 © COPYRIGHT 2008 BY TYCO ELECTRONICS CORPORATION. ALL RIGHTS RESERVED.

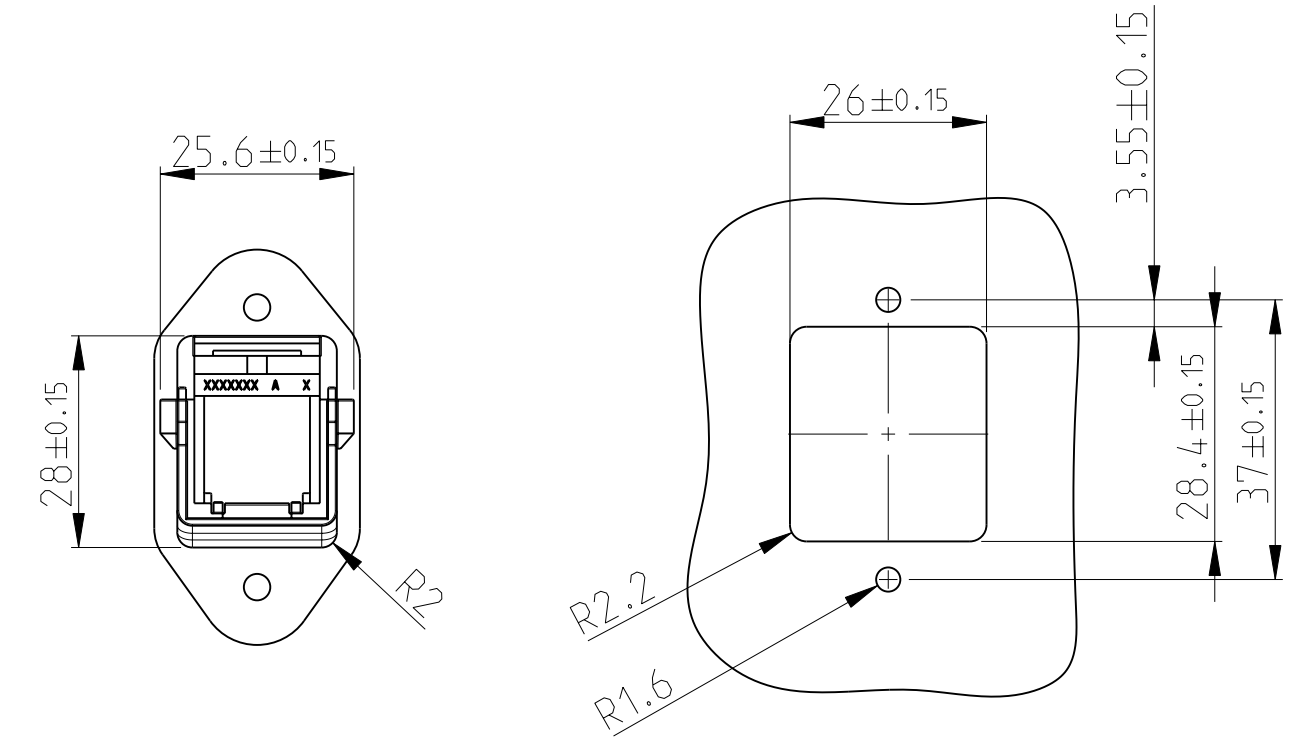
LOC	DIST	REVISIONS			
P	LTR	DESCRIPTION	DATE	DWN	APVD
A1		NEW DRAWING PUBLISHED	04FEB2008	N.T.	R.K.
A2		ECR-08-030470	08DEC2008	N.T.	R.K.
A3		ECR-09-012142	28MAY2009	N.T.	T.K.



SINGLE PACKING: PLASTIC BAG (MINI GRIP) WITH MANUAL.
 MULTI PACKING: 50 PIECE ITEM NO. 1 IN CORD TENSIONING BAG+
 100 PIECE ITEM NO. 2 IN PLASTIC BAG (MINI GRIP) +
 50 PIECE ITEM NO. 3 FOLDING BOX +
 PACKED IN CORRUGATED SHIPPING BOX WITH MANUAL.

EINZELVERPACKUNG: KUNSTSTOFFBEUTEL (MINI GRIP) MIT ANLEITUNG.
 MEHRFACHVERPACKUNG: 50 STUECK POS. 1 IN KORDELZUG BEUTEL +
 100 STUECK POS. 2 IN KUNSTSTOFFBEUTEL (MINI GRIP) +
 50 STUECK POS. 3 IN FALTSCHACHTEL +
 VERPACKT IN VERSANDKARTON MIT ANLEITUNG.

CUT OUT FOR FITTING REQUIREMENT
 AUSSCHNITT FUER EINBAU BEDINGUNG



SCALE 1:1 / M 1:1

SCALE 1:1 / 1:1

QTY	REQD	PER	ASSY	NO.	DESCRIPTION	ITEM NO.
-	-	1	1	-	MANUAL	4
-	-	50	1	-	AMP SL-TWIST-6S SL JACK	3
-	-	100	2	-	ROUND HEAD SCREW M3 x 8	2
-	-	50	1	-	FRAME, RJ45 CONNECTOR IP20	1
-	-	-2	-1	DWG. SIZE	PARTNUMBER	DESCRIPTION
-	-	-	-	←	REVISION OF EACH ASSY NO. (WHEN BLANK, USE DWG. REVISION)	

<small>THIS DRAWING IS A CONTROLLED DOCUMENT FOR TYCO ELECTRONICS CORPORATION IT IS SUBJECT TO CHANGE AND THE CONTROLLING ENGINEERING ORGANIZATION SHOULD BE CONTACTED FOR THE LATEST REVISION.</small>		DWN 24NOV2008 N.Thirunavukkarasu CHK 24NOV2008 W. BOECK APVD 24NOV2008 R. KRAEMER PRODUCT SPEC APPLICATION SPEC WEIGHT - CUSTOMER DRAWING	Tyco Electronics Tyco Electronics AMP GmbH 64625 Bensheim (Germany)
DIMENSIONS: mm 	TOLERANCES UNLESS OTHERWISE SPECIFIED: 0 PLC ±- 1 PLC ±- 2 PLC ±- 3 PLC ±- 4 PLC ±- ANGLES ±1° FINISH	NAME ASSY, FRAME, RJ45 CONNECTOR IP20, CAT6 ASSY, RAHMEN RJ45 CONNECTOR IP20, CAT6	SIZE A2
MATERIAL		CAGE CODE 00779	DRAWING NO 1987671
		RESTRICTED TO -	SCALE 2:1 SHEET 1 OF 1 REV A3