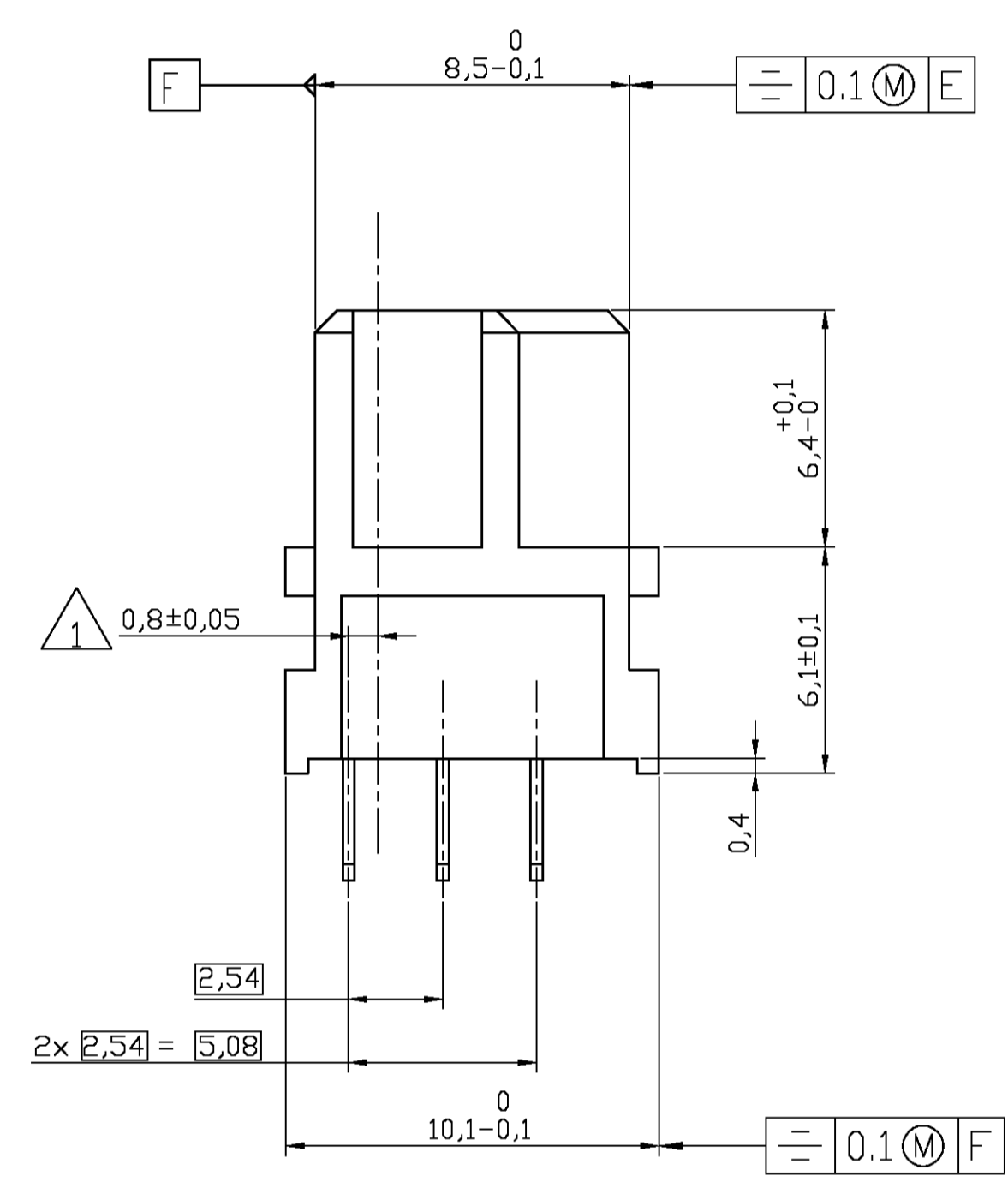
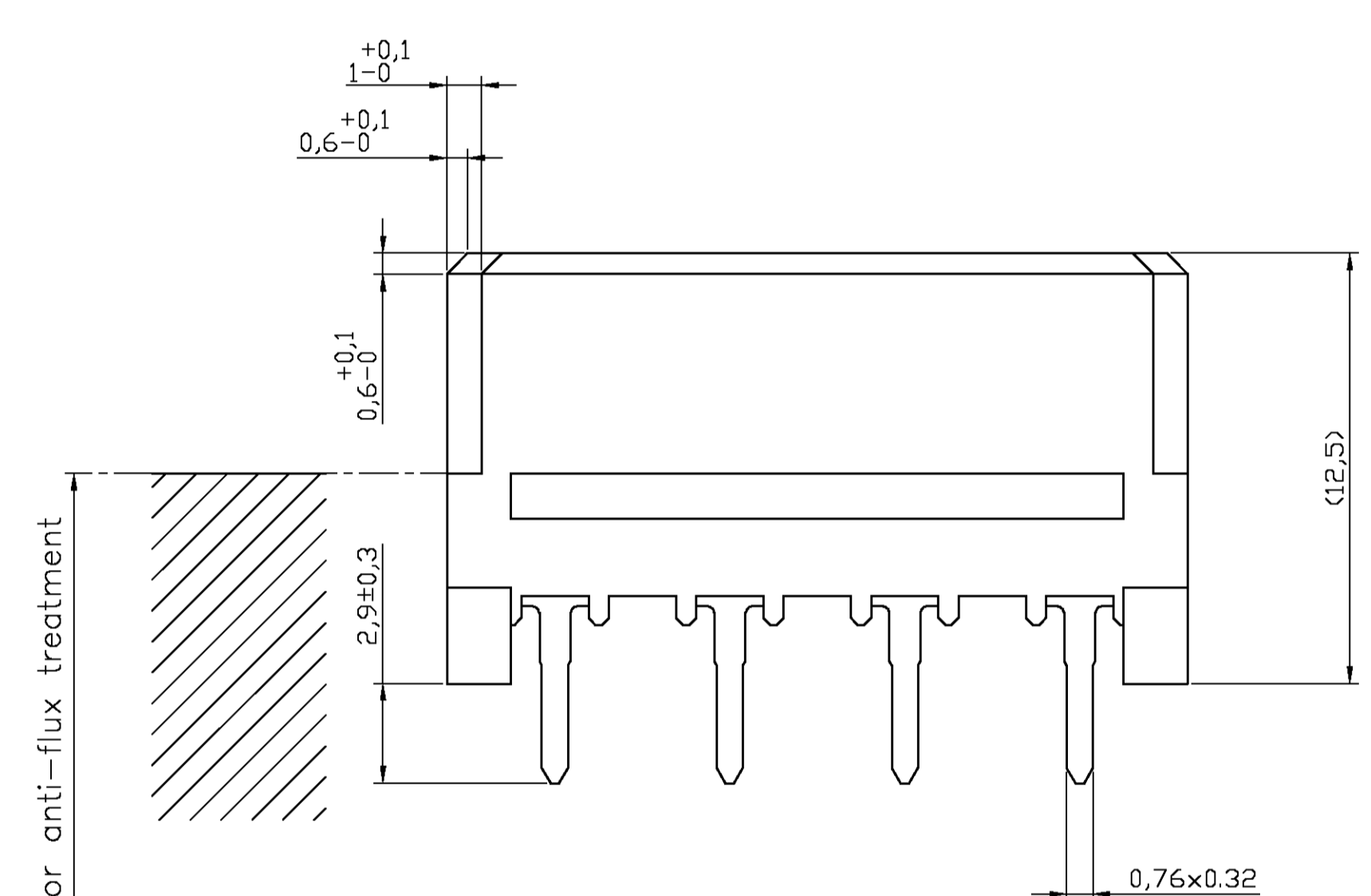


Loading Pattern (12 contacts)

	1	2	3	4	5	6	7
Row a	+	o	+	o	+	o	+
Row b	+	o	+	o	+	o	+
Row c	+	o	+	o	+	o	+

+ = contact
o = no contact



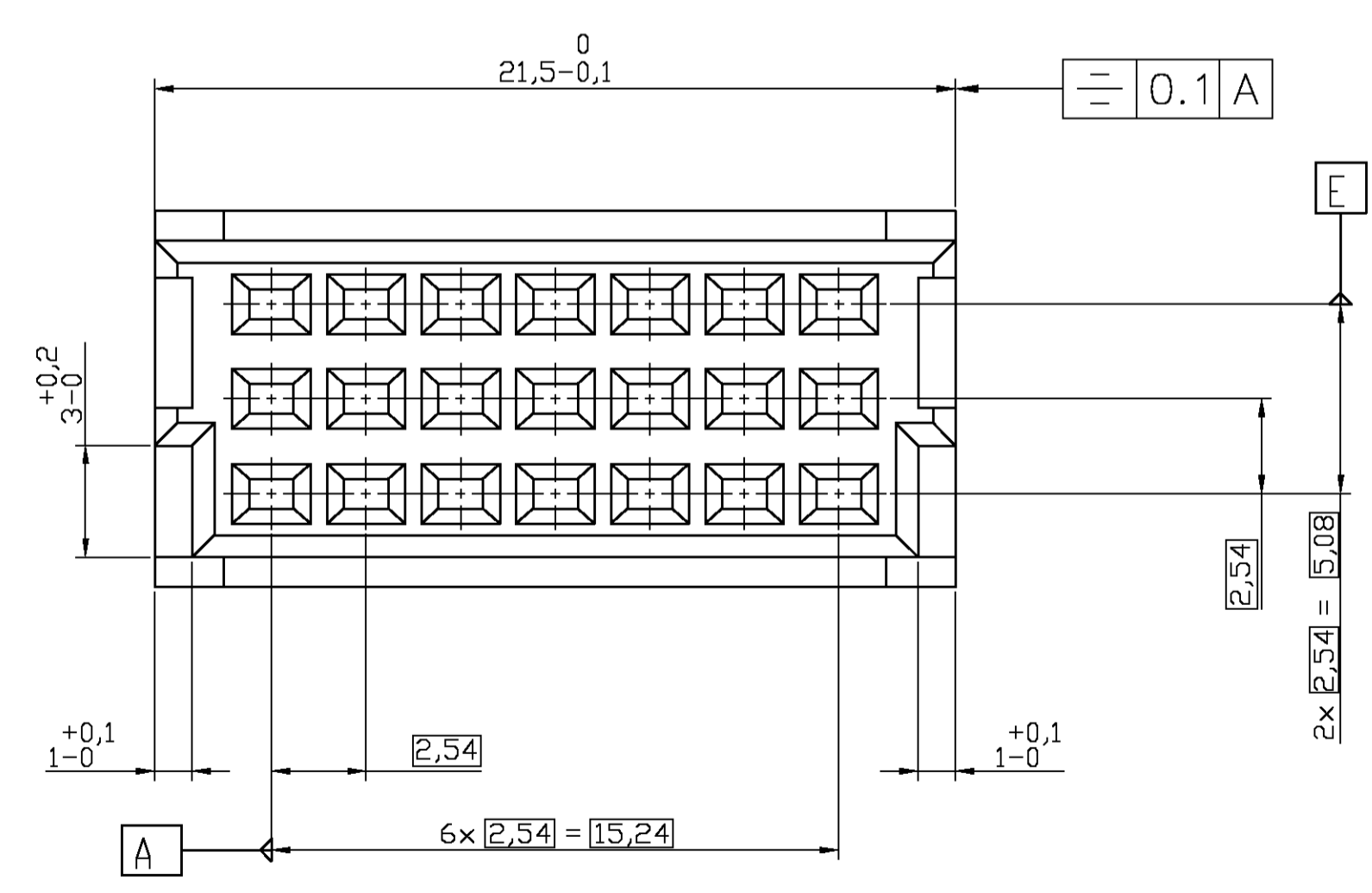
Specifications acc. IEC 603-2. Performance Level 2

Housing : PBTP 30% Glasfilled (UL94-V0)
Pebblegrey similar RAL 7032

Contact material : Copper Alloy

Plating : Contact area : PdNi+Au or Au
Termination area : Sn
with flux-tight coating.

⚠ Center-displacement between termination- and contact-side.



Active Partnumber. Contact
Tyco Electronics for other
configuration availability

Old Partnumber	Tyco Part-number
V42254-F2299-R8	1982300-1

THIS DRAWING IS A CONTROLLED DOCUMENT.		DIN J.LOONEN 25JAN07		Tyco Electronics Corporation 's-Hertogenbosch.522AR-32	
DIMENSIONS: mm		GIK B.MOOIJ 25JAN07		EUROCARD RECEPTACLE ASSY, TYPE R21/12 POS	
TOLERANCES UNLESS OTHERWISE SPECIFIED:		APVD J.BROEKSTEEG 25JAN07	RESTRICTED TO		
0 PLC ± -	1 PLC ± 0.1	PRODUCT SPEC		SIZE	CAGE CODE
2 PLC ± 0.05	3 PLC ± -	APPLICATION SPEC		A1	00779
4 PLC ± -	ANGLES ± 1	MATERIAL		SCALE	1:5
FINISH		WEIGHT		DRAWING NO	1982300-1
		CUSTOMER DRAWING		SHEET	1 of 1