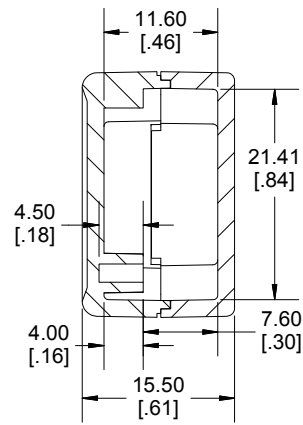
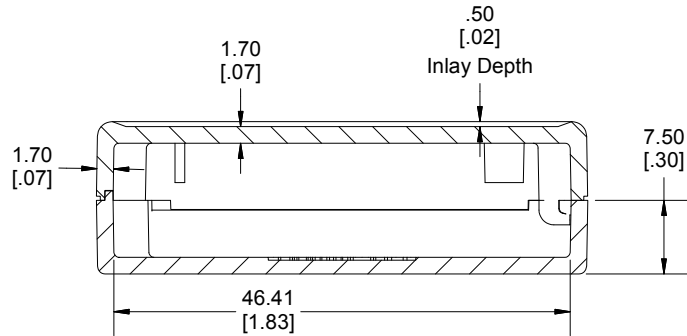
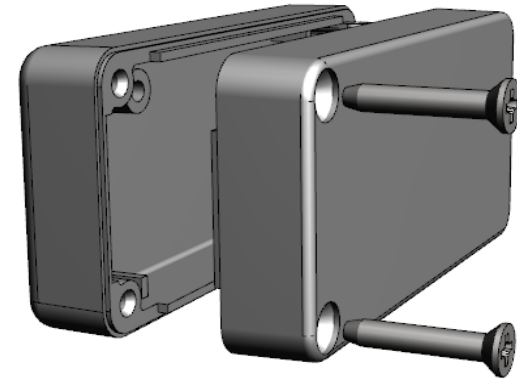


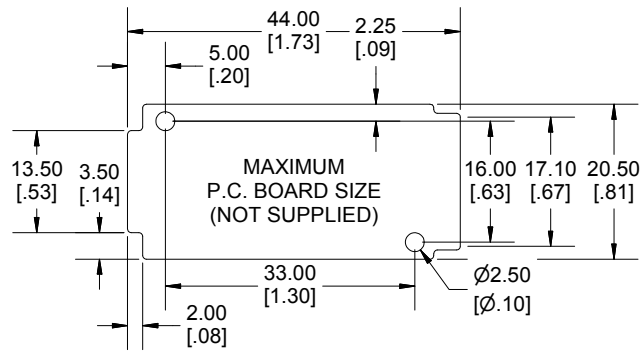
TOP VIEW



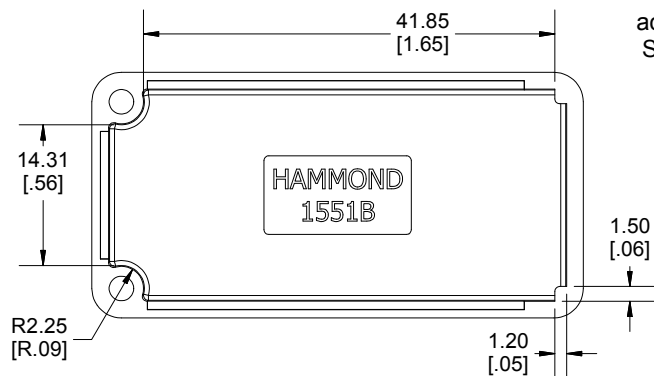
SECTION A-A



SECTION B-B



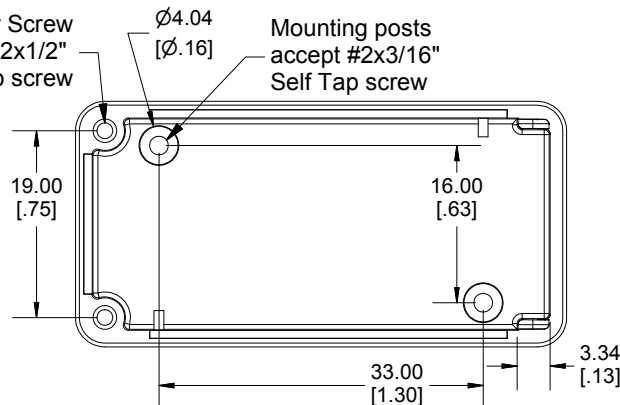
MAXIMUM
P.C. BOARD SIZE
(NOT SUPPLIED)



Cover Screw
accept #2x1/2"
Self Tap screw

Ø4.04
[Ø.16]

Mounting posts
accept #2x3/16"
Self Tap screw



Enclosures can be Factory Modified (Milling, Drilling, Printing etc.)
Contact Factory mjm@hammondmfg.com for quotes
Solid models of this enclosure available in STEP or IGES.
(Part number and text placement/orientation on our products are subject to change,
we do not recommend using them as a locating reference for modification purposes)

NOTE

Purchased assembly includes box, lid, 2 cover screws.
Enclosure molded from general purpose ABS Plastic.
Other materials / colours available consult factory.

Recommended Torque : (35-43) Ozf.in / (25-30) cN.m

PART NUMBERS

1551B Enclosure	
Black Enclosure - Ral 9011 - UL94 - HB	1551BBK
Gray Enclosure - RAL 7035 - UL94 - HB	1551BGY
Translucent Blue - UL94 - HB	1551BTBU
Translucent Clear - UL94 - HB	1551BCLR
Translucent Smoke - UL94 - HB	1551BTSK
Translucent Red - UL94 - HB	1551BTRD
ACCESSORIES	
P.C. Board Plastiite Self Tapping Screw [#2 x 3/16" self-tapping (4.8mm)]	1553WTS100 (Pkg 100)
Plated Cover Screws #2 X 1/2" Self-tapping	1551USB50 (Pkg 50)
Black Cover Screws #2 X 1/2" Self-tapping	1551USB50BK (Pkg 50)

Dimensions:
mm
[inches]

