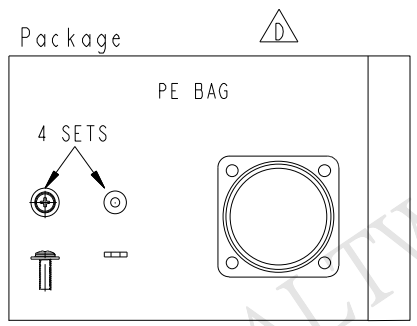
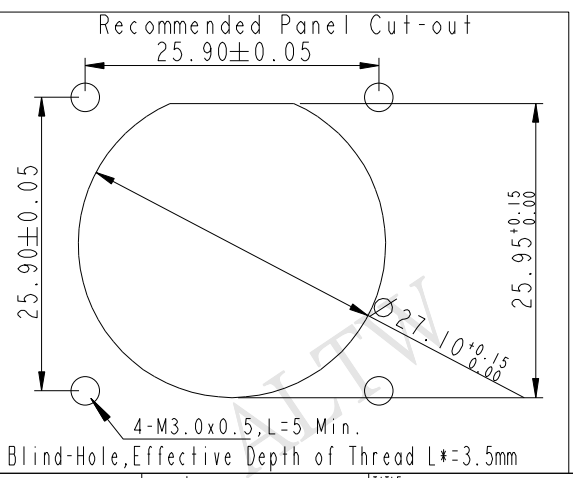
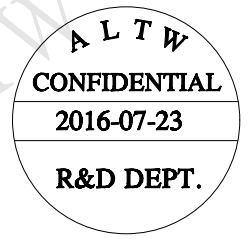
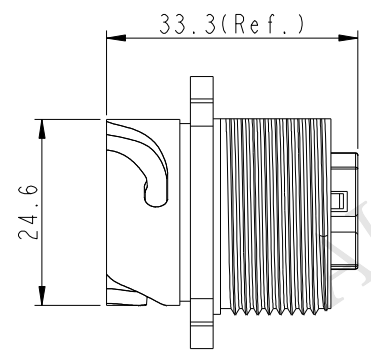
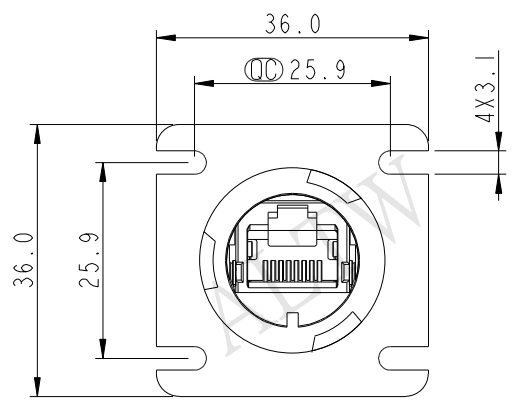
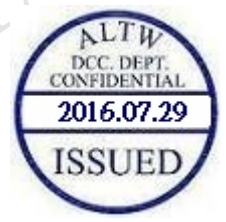
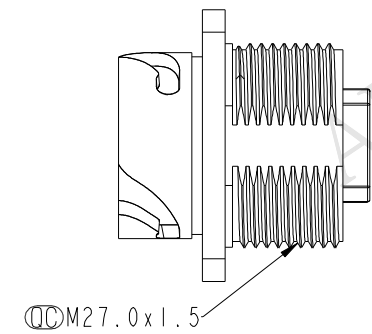
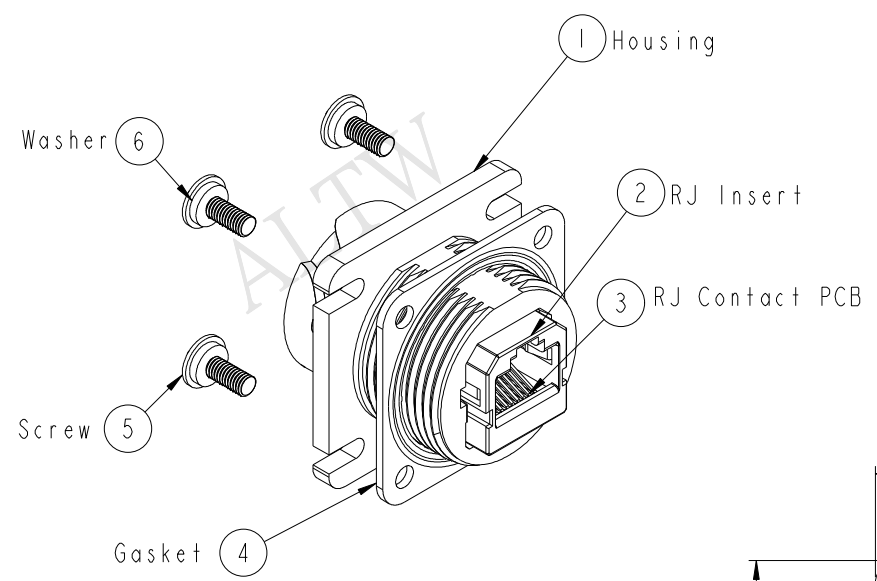


THIS DOCUMENT IS SUBJECT TO CHANGE WITHOUT NOTICE. IT IS CONFIDENTIAL AND A PROPERTY OF Amphenol LTW. DISCLOSURE TO THIRD PARTY HAS TO BE AUTHORIZED BY Amphenol LTW.

REV.	ECN NO.	DATE	SIGN	DESCRIPTION
B	LEN1370011	2013/07/08	Cary	Change Note & Panel Cut-out
C	LEN1610155	2016/01/08	Ruru	Change Note
D	LEN1670657	2016-07-23	Feng_Li	Modify Gasket Shape



- Note:
- \*  $\varnothing$  Important Dimension
  - \* Waterproof Rate: IP67 (Mated Waterproof)
  - \* Housing: Nylon+GF, BLACK
  - \* RJ45 Jack: Cat 5e, Shield
  - \* Gasket: Silicone, UL 94V-0, Black
  - \* Screw: M3.0x L=8.0mm
  - \* Contact: Phosphor Bronze, Gold Flash Over Nickel
  - \* Screw torsion value range: 1.5~2kgf-cm
  - \* Temperature Range: -40°C to 105°C
  - \* All Parts Should Meet RoHS Compliant.

UNIT: mm		TITLE	RJ45 ODVA, PANEL, DOUBLE LOCK		
TOLERANCE	.X ±0.25	SCALE	1:1	SIZE	A4
.XX ±0.1	.XXX ±0.05	REV.	D	WC-REV.	B.4
ANGLES ±1°					$\varnothing$ : Inspection item

**Amphenol LTW**  
安費諾亮泰企業股份有限公司

ITEM NO	ROP-5SRFFH-TSM7001	DRAWN BY	Feng_Li	DATE	2016-07-23
DWG NO	ROP-5SRFFH-TSM7001	CHECKED BY	Jinhai	DATE	2016-07-23
CUSTOMER	ALTW	APPROVED BY	Jerry	DATE	2016-07-23