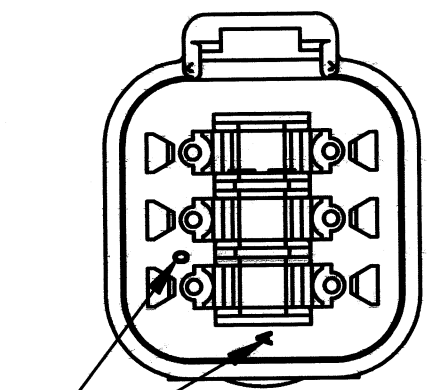
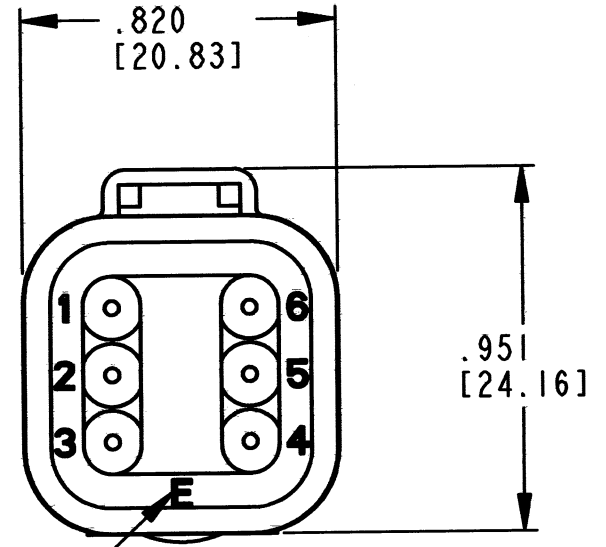
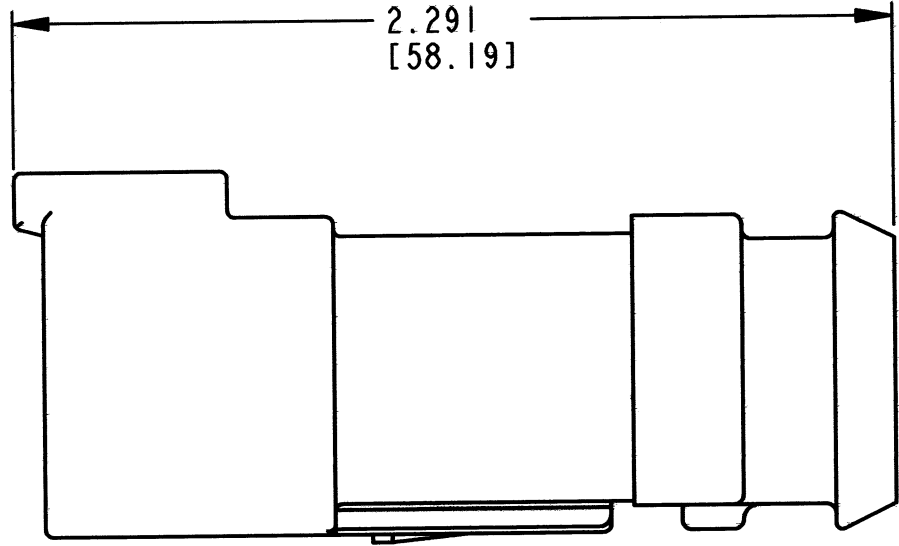
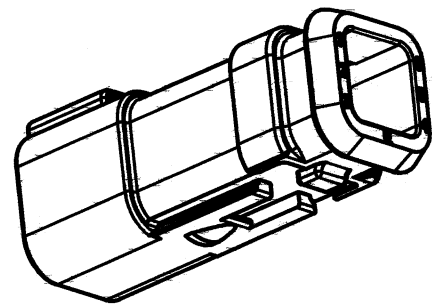


REV
NC DT04-6P-CE09

REVISIONS			
SYM	DESCRIPTION	DATE	APPROVED
NC	NEW RELEASE PER E.O. P21014	7-12-11	RDR

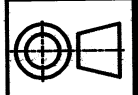


DATE CODE: SEQUENTIAL ALPHA CHARACTERS
REPRESENT MONTH: EX: A=JANUARY
NUMBER REPRESENTS LAST
DIGIT OF YEAR: EX: 0=2010

-E- SYMBOL
DESIGNATES
REDUCED WIRE SEAL

- 5. MATERIAL - SHELL: PLASTIC; SEAL: RUBBER
COLOR: BLACK
- 4. THIS RECEPTACLE MATES WITH DT06-6S-**** (**** = ALL MODIFICATIONS).
CONSULT FACTORY FOR MODIFICATIONS.
- 3. FOR CONTACTS AND WIRE PERFORMANCE AND APPLICATION CHARACTERISTICS
SEE ENVELOPE DRAWINGS 0425-015-0000 AND 0425-017-0000.
- 2. DIMENSIONS ARE ±.025[0.63] UNLESS OTHERWISE SPECIFIED.
- 1. DIMENSIONS ARE IN INCHES [MILLIMETERS].

CONTACT SIZE	MIN. INSUL. O.D.	MAX. INSUL. O.D.	WIRE RANGE [mm ²]
16	.053 [1.35]	.120 [3.05]	14-20 AWG [2.0-0.5]



NOTES:

SIGNATURE & DATE	
DR	A. MALAGON 05 JUL 11
CHK	<i>[Signature]</i> 7/7/2011
PE	<i>[Signature]</i> 6/7/11
APPD	<i>[Signature]</i> 7/6/11
SCALE	NONE WT

**6 WAY RECEPTACLE
E-SEAL
W/ EXTENDED CAP
COLOR: BLACK
DT SERIES**

ENVELOPE

EP	MATL. CODE
3850 INDUSTRIAL AVE. HEMET, CA 92545	
B	DT04-6P-CE09
DWG SIZE	CODE 11139 SHEET OF