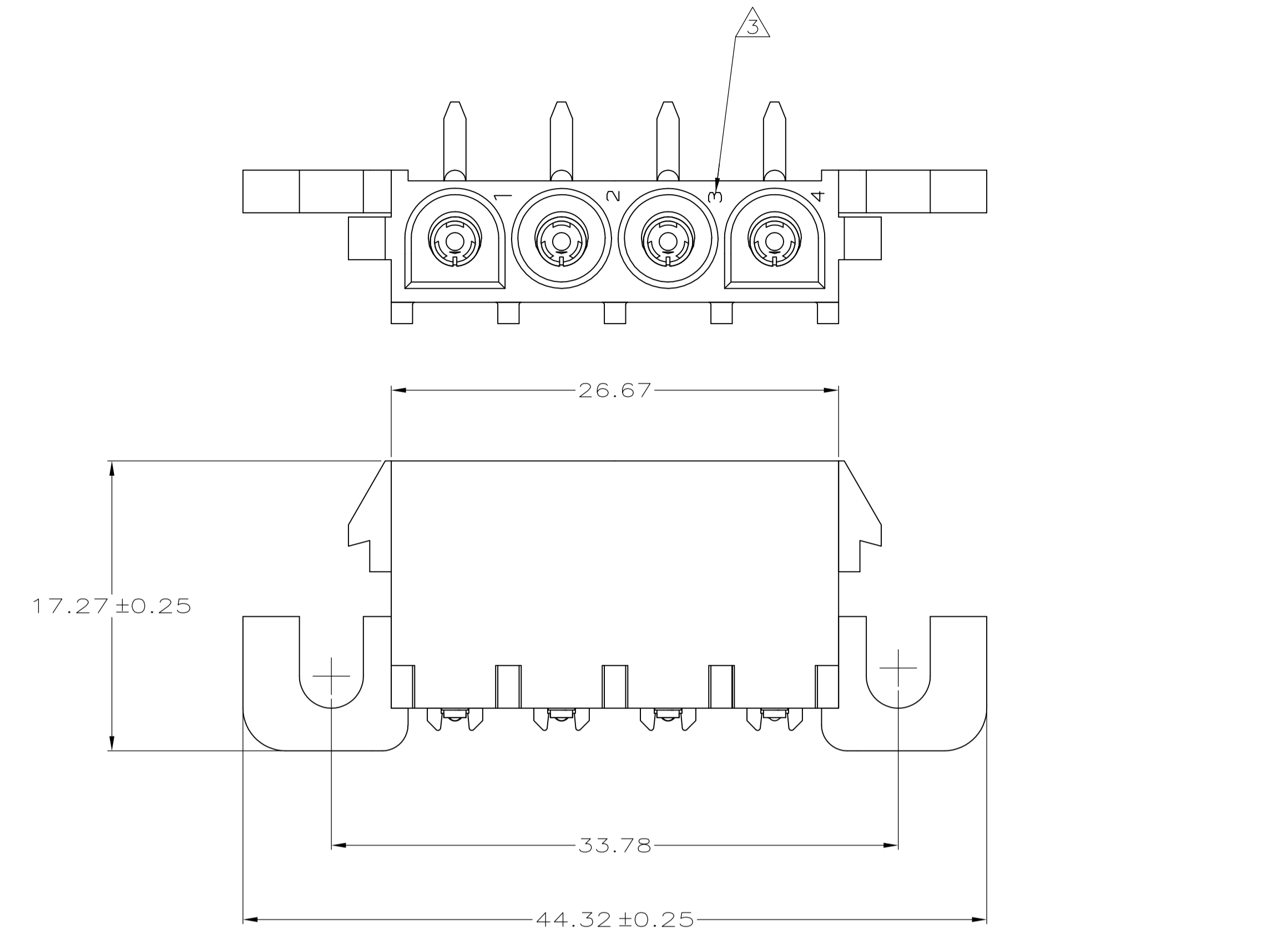
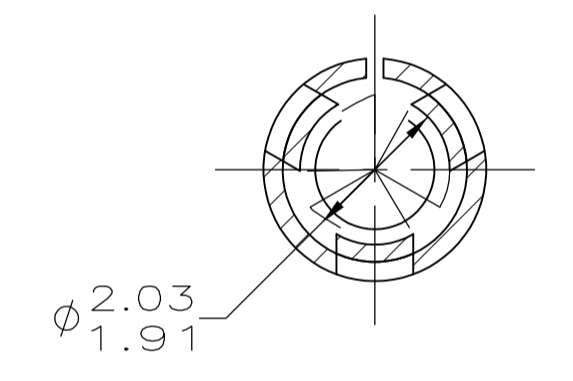
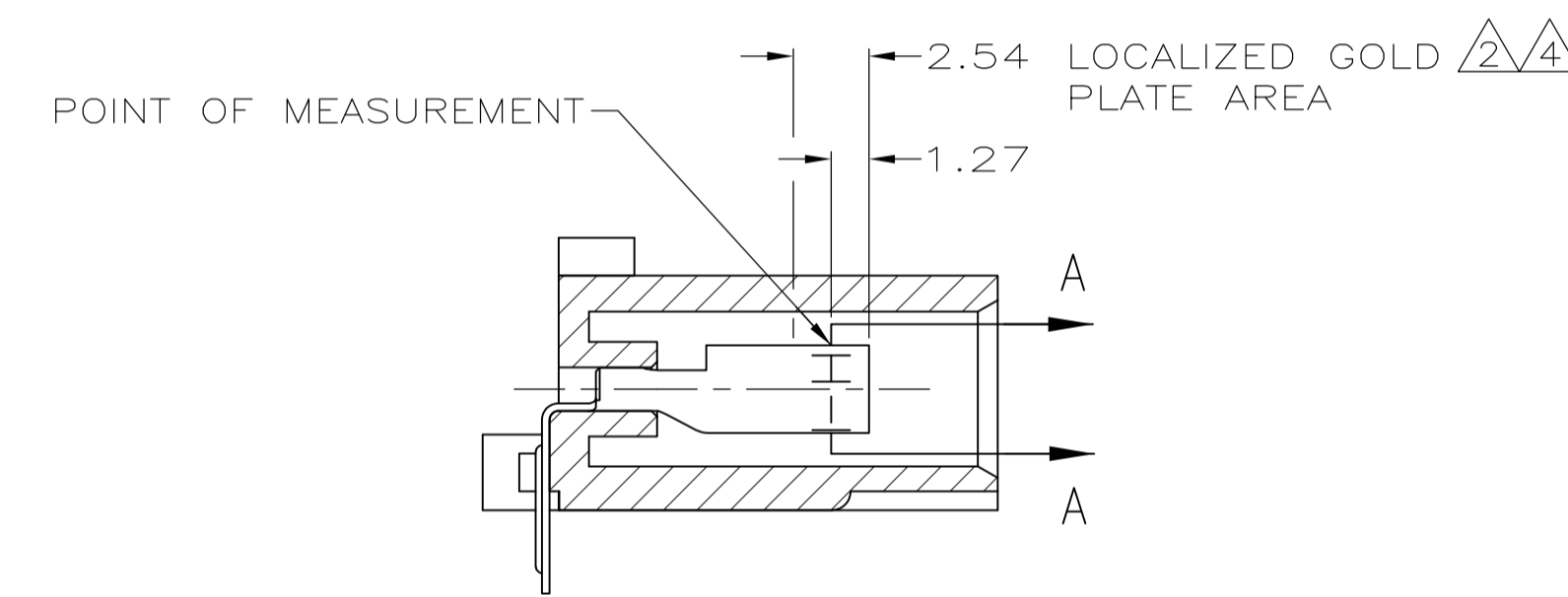
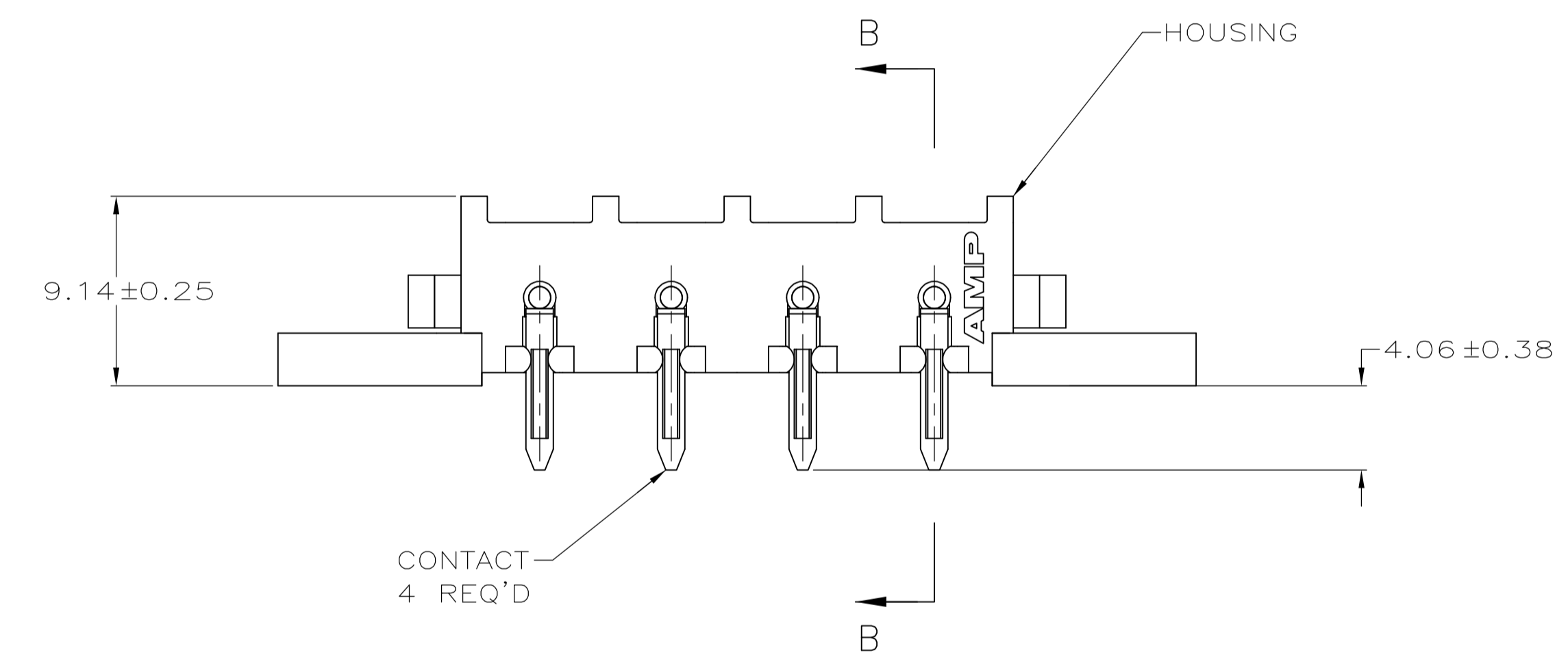


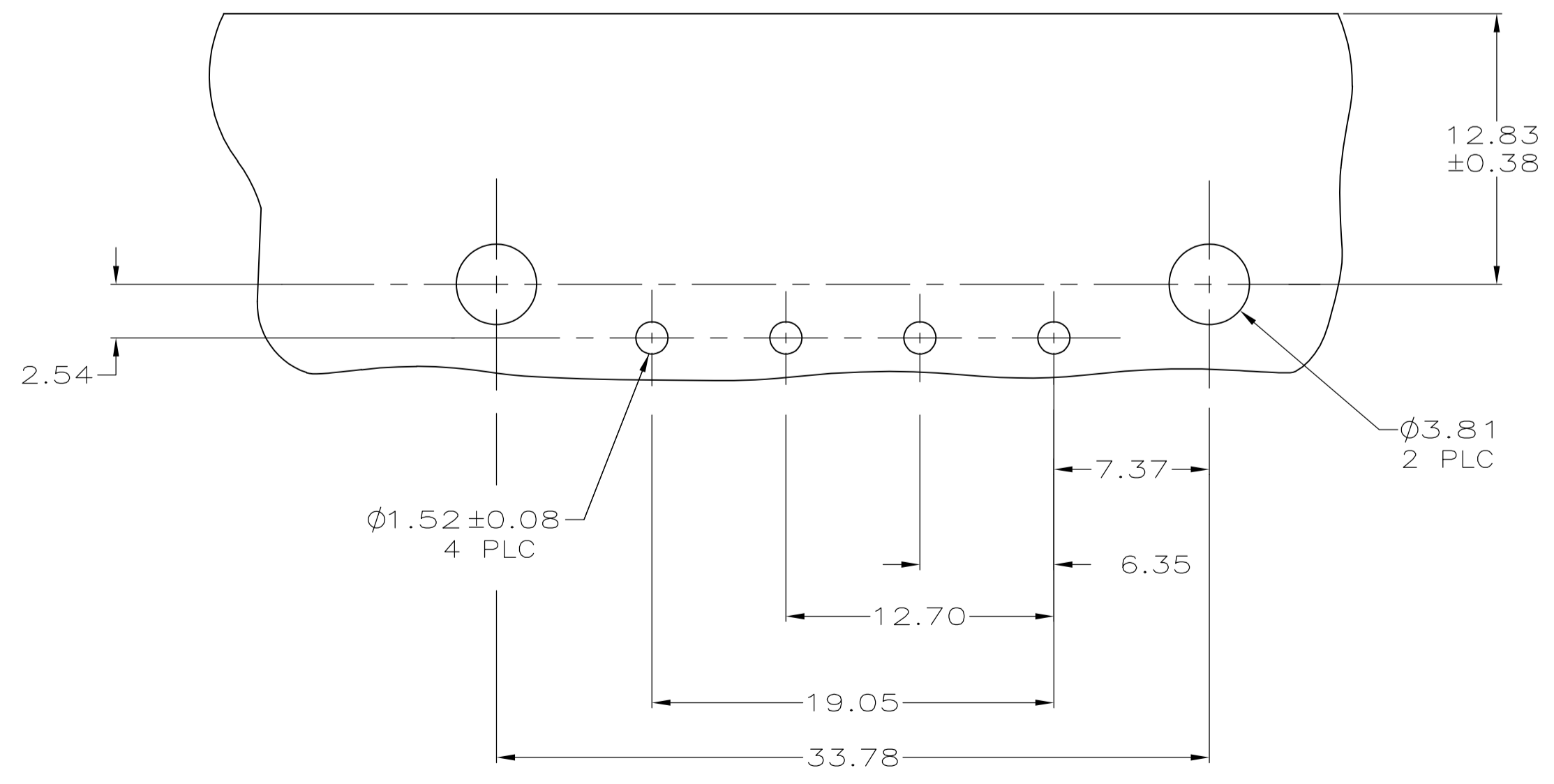
LOC		DIST		REVISIONS			
P	LTR	DESCRIPTION	DATE	DNW	APVD		
E2		REVISED PER ECR-12-011660	01FEB13	KH	TM		



- 1 PARTS COMPLY WITH AMP SOLDERABILITY SPECIFICATION 109-11-5.
- 2 0.00076 GOLD OVER 0.00127 MIN NICKEL WITH MATTE TIN LEAD ON SOLDER TAIL.
- 3 CIRCUIT IDENTIFICATION CHARACTERS ARE ADJACENT TO THE INDICATED CAVITIES, BUT LOCATION AND ORIENTATION MAY DIFFER FROM PRINT.
- 4 0.00076 GOLD OVER 0.00127 MIN NICKEL WITH MATTE TIN ON SOLDER TAIL.
- 5 SUPERSEDED BY 3-643230-0



SECTION A-A  
SCALE 10:1



RECOMMENDED MOUNTING HOLE PATTERN FOR 1.57 THICK P.C. BOARD

MM	IN	MM	IN
3.81	.150		
2.54	.100		
2.03	.080	44.32	1.745
1.91	.075	33.78	1.330
1.57	.062	26.67	1.050
1.52	.060	19.05	.750
1.27	.050	17.27	.680
0.38	.015	12.83	.505
0.25	.010	12.70	.500
0.13	.005	9.14	.360
0.08	.003	7.37	.290
0.00127	.000050	6.35	.250
0.00076	.000030	4.06	.160
MM	IN	MM	IN

CONVERSION TABLE

PH BRZ, $\triangle 4$	NYLON UL 94V-0	3-643230-0
PH BRZ, $\triangle 2$	NYLON UL 94V-0	643230-2
PH BRZ, TIN	NYLON UL 94V-0	643230-1
CONTACT	HOUSING	PART NUMBER

THIS DRAWING IS A CONTROLLED DOCUMENT.

DIMENSIONS: mm	TOLERANCES UNLESS OTHERWISE SPECIFIED:	DIN K. WHITAKER 21APR2005	CHK S. RIDGILL 21APR2005	NAME
0 PLC ± -	1 PLC ± -	APVD S. RIDGILL 21APR2005	PRODUCT SPEC	SIZE
2 PLC ± 0.13	3 PLC ± -	APPLICATION SPEC	WEIGHT	SCALE
4 PLC ± -	ANGLES ± -	RESTRICTED TO	SCALE 4:1	SHEET 1 OF 1
MATERIAL SEE TABLE	FINISH SEE TABLE	WEIGHT	REV E2	

STE TE Connectivity

SOCKET HEADER ASSEMBLY, RIGHT ANGLE MOUNT, 4 POSITION, UNIVERSAL MATE-N-LOK(TM)

00779-643230